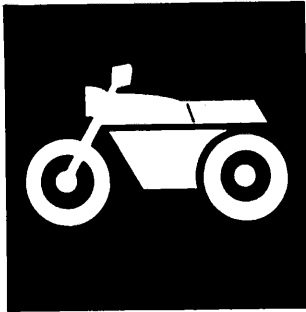


**YAMAHA**



**PARTS  
CATALOGUE**

**TZR125'93 (4JB1)**

**EUROPE**

**TZR125'93 (4HW1)**

**ENGLAND**

**TZR125'93 (4HX1)**

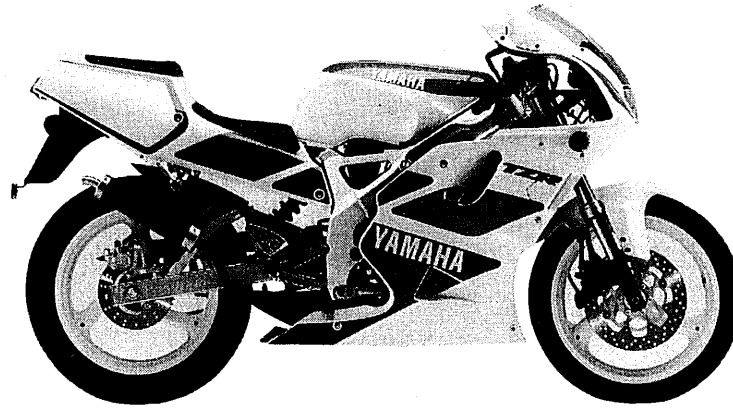
**SWITZERLAND, FINLAND, AUSTRIA**

---

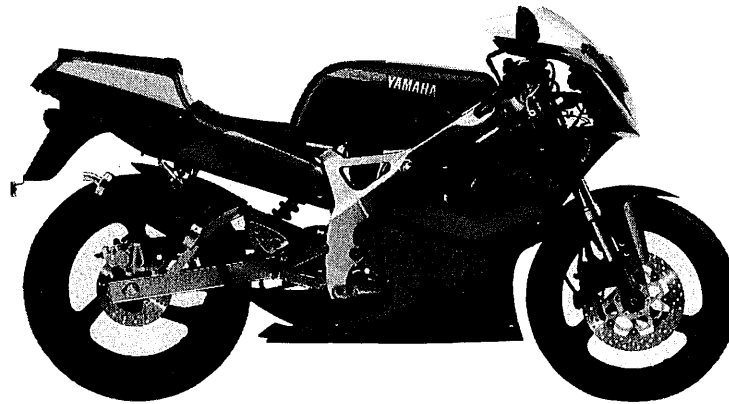
134JB-300E1

**YAMAHA**  
**GENUINE**  
Parts & Accessories





PURPLISH WHITE SOLID 1 (0206)



YAMAHA BLACK (0033)

**A3**



# FOREWORD

This Parts Catalogue is related to the parts in use for the Yamaha TZR125'93(4JB1/4HW1/4HX1). When you are ordering replacement parts for the TZR125'93(4JB1/4HW1/4HX1), refer to this Parts Catalogue and quote both part numbers and part names correctly.

1. Modifications or additions which have been made after issue of the Parts Catalogue will be announced in the Yamaha Parts News.

It is advisable that according to the Yamaha Parts News you make necessary corrections to the Parts Catalogue on hand to keep it up-to-date.

2. Abbreviations

The following abbreviations are used in this Parts Catalogue.

- U.R. Use size (thickness) and/or number as required.
- U.N. Use as many as you need.
- A.P. Alternate Parts
- L.M. Local Made
- F# Frame No. (Applicable machine No.)

3. The parts marked with (+) in the parts number column of this Catalogue are not supplied with by Yamaha, those have to be found locally.

4. Parts, which are to be supplied in the form of assemblies, are listed with an indention of one letter's space, and a dot ( . ) is put against the name of each part.

**EXAMPLE** CARBURETOR ASS'Y  
                   . JET, pilot  
                   . NOZZLE, main

5. Indication of No. of constituent parts for assembly

The numeral appearing to the right of each constituent part under the description indicates the quantity of such parts for each individual assembly unit.

**EXAMPLE**

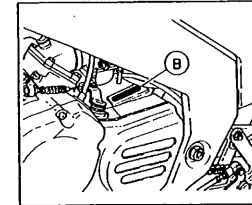
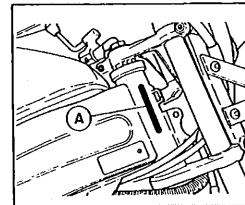
Part No.	Description	Q'ty	Remarks
2F5-83310-60	FRONT FLASHER LIGHT ASS'Y	2	
115-83311-60	. BULB (6V-18W)	1	
1M1-83309-60	. REFLECTOR	1	

6. Initial Serial No. and Color Code

4JB1	(A) Frame Serial No.	4JB-000101 and following
	(B) Engine Serial No.	4JB-000101 and following

4HW1	(A) Frame Serial No.	4HW-000101 and following
	(B) Engine Serial No.	4HW-000101 and following

4HX1	(A) Frame Serial No.	4HX-000101 and following
	(B) Engine Serial No.	4HX-000101 and following



Color Code	Color Name	Abbreviate
0206	PURPLISH WHITE SOLID 1	PWS1
0033	YAMAHA BLACK	YB

7. Applicable colors of graphics are represented in the "Remarks" column by the letter(s) appropriately picked out of the full word(s) showing such colors.

**EXAMPLE**

Part No.	Description	Q'ty	Remarks
2N4-24110-00-X5	FUEL TANK COMP.	1	MAXIM RED
3J1-24240-10	. GRAPHIC, fuel tank set	1	for MXR

# CONTENTS

## GENERAL SPEC.

### ENGINE

Cylinder .....	B2~B3
Crankshaft, Piston .....	B4
Water Pump .....	D5
Radiator, Hose .....	B6~B7
Oil Pump .....	B8
Intake .....	B9
Carburetor .....	B10~B11
Exhaust .....	B12
Crankcase .....	B13
Crankcase Cover 1 .....	B14
Starter .....	B15
Clutch .....	C2
Transmission .....	C3~C4
Shift Cam, Fork .....	C5
Shift Shaft .....	C6

### CHASSIS

Frame .....	C7~C8
Fender .....	C9
Side Cover .....	C10~C11
Oil Tank .....	C12
Rear Arm .....	C13
Rear Suspension .....	C14
Steering .....	C15
Front Fork .....	D2~D3
Fuel Tank .....	D4~D5
Seat .....	D6
Front Wheel .....	D7

Front Brake Caliper .....	D8
Rear Wheel .....	D9~D10
Rear Brake Caliper .....	D11
Steering Handle, Cable .....	D12
Front Master Cylinder .....	D13
Stand, Footrest .....	D14~D15
Rear Master Cylinder .....	E2~E3
Cowling 1 .....	E4
Cowling 2 .....	E5~E6
Generator .....	E7
Starting Motor .....	E8
Flasher Light .....	E9
Meter .....	E10
Headlight .....	E11
Taillight .....	E12
Handle Switch, Lever .....	E13
Electrical 1 .....	E14
Electrical 2 .....	E15

### INDEX (GENERAL SPEC.)

Numerical Index .....	L2~L5
-----------------------	-------

## INDIVIDUAL SPEC.

### FOR ENGLAND

Alternate (Electrical) .....	F3
------------------------------	----

### FOR FINLAND SWITZERLAND

Alternate (Carburetor) .....	F5~F6
Alternate (Exhaust) .....	F7
Alternate (Chassis) .....	F8

### FOR AUSTRIA

Alternate (Carburetor) .....	F10~F11
Alternate (Exhaust) .....	F12
Alternate (Chassis) .....	F13

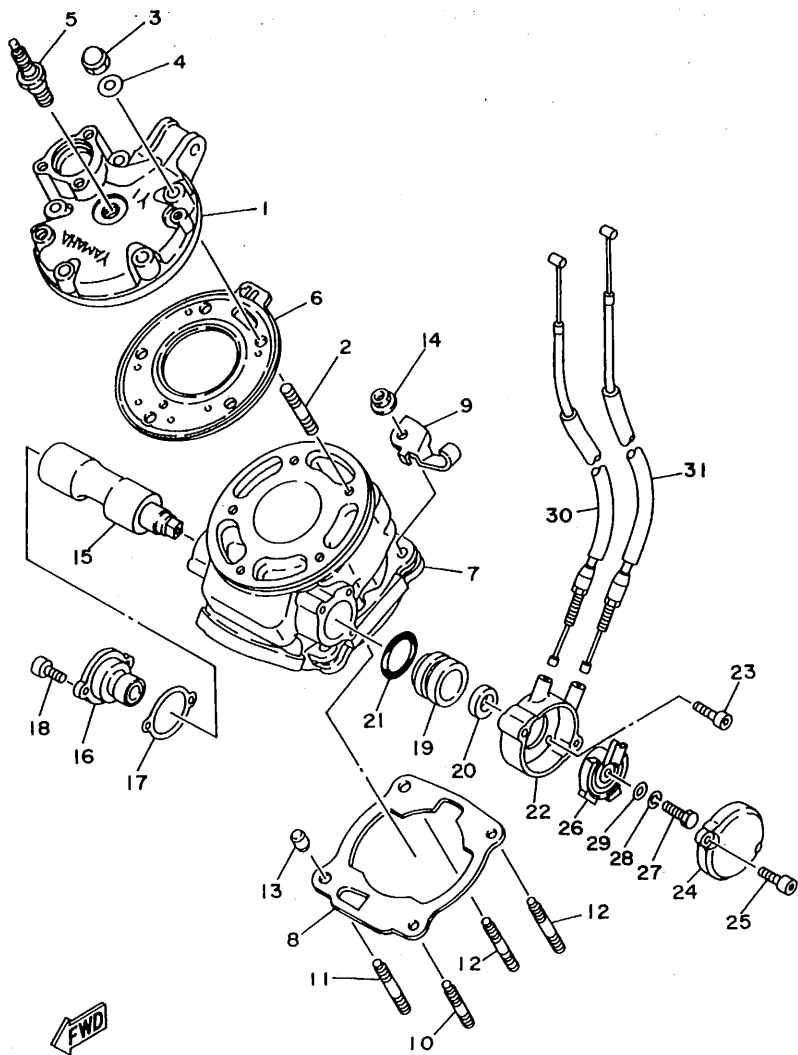
### INDEX (INDIVIDUAL SPEC.)

Numerical Index .....	M2
-----------------------	----

**GENERAL SPEC.**







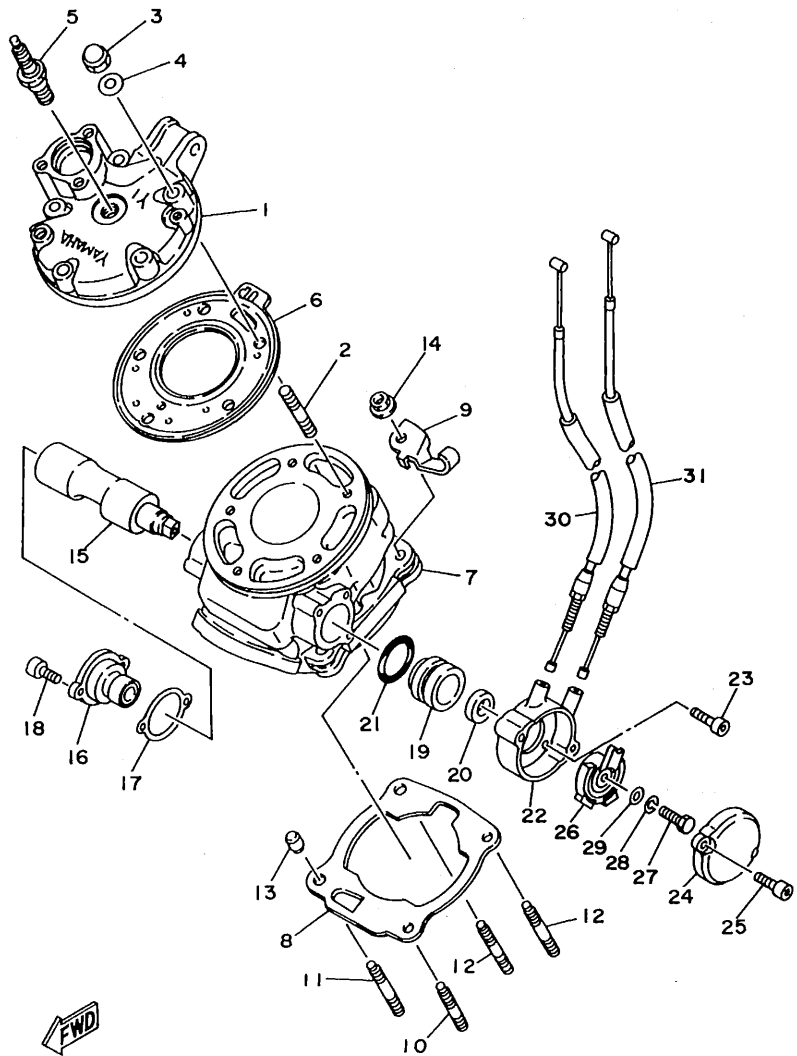
4JB1300-3010

FIG. 1 CYLINDER

REF. NO.	PART NO.	DESCRIPTION	Q'TY	REMARKS
1	4FL-11111-00	HEAD, CYLINDER 1	1	
2	90116-08394	BOLT, STUD	5	
3	90176-08040	NUT, CROWN	5	
4	90201-08649	WASHER, PLATE	5	
5	94702-00357	PLUG, SPARK (NGK BR9ECM)	1	
6	4FL-11181-00	GASKET, CYLINDER HEAD 1	1	
7	4FU-11311-00	CYLINDER 1	1	
8	4FU-11351-00	GASKET, CYLINDER	1	
9	4FU-15441-00	HOLDER, CLUTCH CABLE	1	
10	90116-08318	BOLT, STUD	1	
11	90116-08524	BOLT, STUD	1	
12	90116-08388	BOLT, STUD	2	
13	99510-10114	PIN, DOWEL	2	
14	90179-08491	NUT	4	
15	4GW-1131A-00	VALVE 1	1	
16	3RR-1131E-00	HOLDER 1	1	
17	4FL-1131N-00	GASKET, HOLDER	1	
18	91316-05012	BOLT	2	
19	31K-1131U-00	HOLDER 3	1	
20	93108-23010	OIL SEAL	1	
21	93210-30734	O-RING	1	
22	2RH-1131M-10	COVER	1	
23	91311-05010	BOLT	2	
24	2RH-1131R-10	CAP, SEAL	1	
25	91316-05012	BOLT	2	
26	29L-1132E-00	PULLEY 1	1	
27	97016-06016	BOLT	1	
28	92906-06100	WASHER, SPRING	1	

**B2**

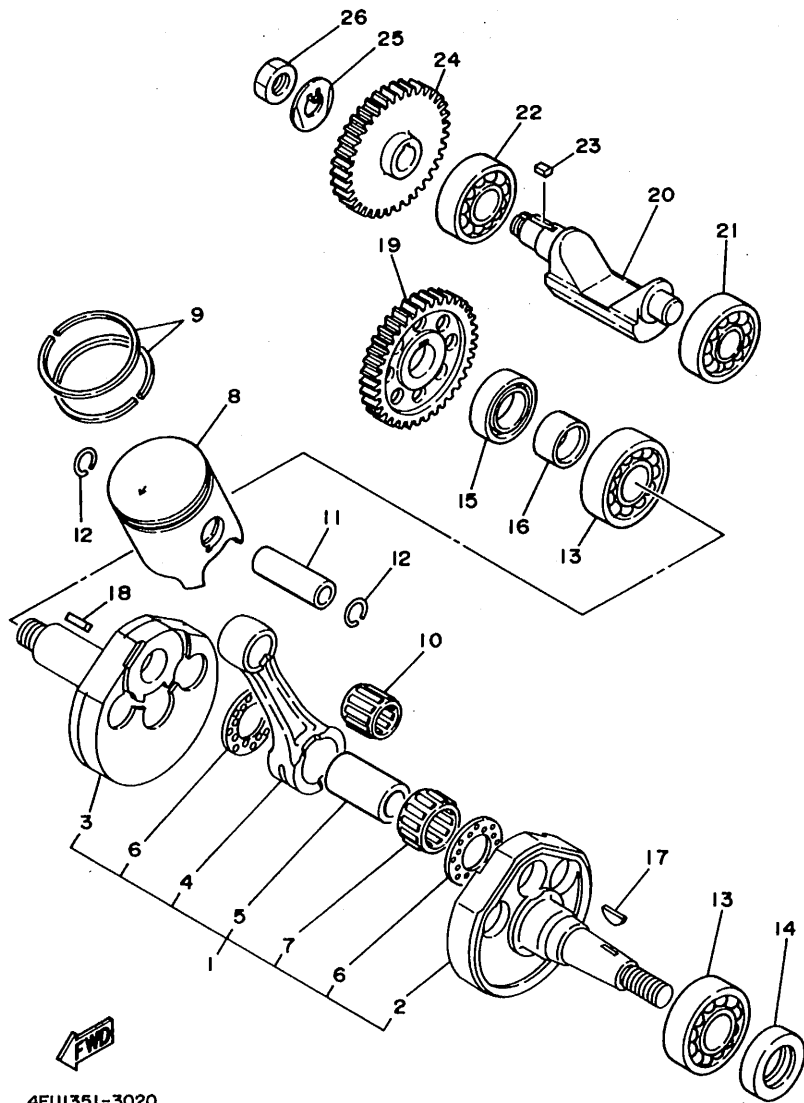
FIG. 1 CYLINDER



REF. NO.	PART NO.	DESCRIPTION	Q'TY	REMARKS
29	92906-06600	WASHER, PLATE	1	
30	4FL-1133E-00	CABLE, PULLEY 1	1	
31	4FL-1133F-00	CABLE, PULLEY 2	1	

FWD  
4JB1300-3010

B3



4FU1351-3020

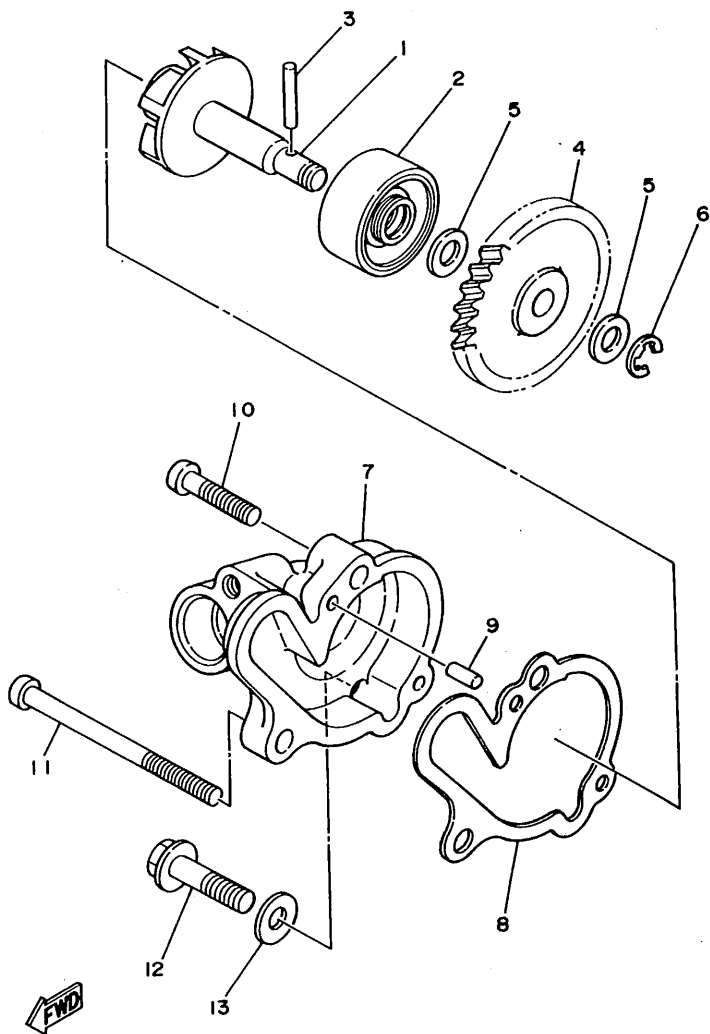
FIG. 2 CRANKSHAFT. PISTON

REF. NO.	PART NO.	DESCRIPTION	Q'TY	REMARKS
1	4FU-11400-00	CRANKSHAFT ASSY	1	
2	3MB-11412-00	.CRANK 1	1	
3	3MB-11422-00	.CRANK 2	1	
4	4FU-11651-00	.ROD, CONNECTING	1	
5	37F-11681-00	.PIN, CRANK 1	1	
6	90209-22257	.WASHER	2	
7	93310-523D2	.BEARING, CYLINDRICAL	1	
8	4FL-11631-01-A0	PISTON (STD)	1	
9	3MB-11610-01	PISTON RING SET (STD)	1	
10	93310-316D5	BEARING, CYLINDRICAL	1	
11	3MB-11633-00	PIN, PISTON	1	
12	93450-17129	CIRCLIP	2	
13	93306-30556	BEARING	2	
14	93102-25331	OIL SEAL	1	
15	93103-32171	OIL SEAL	1	
16	90387-202T9	COLLAR	1	
17	90280-03017	KEY, WOODRUFF	1	
18	90282-05047	KEY, STRAIGHT	1	
19	10V-11536-01	GEAR, DRIVE	1	
20	2RH-11454-00	WEIGHT 1	1	
21	93306-30210	BEARING	1	
22	93306-20335	BEARING	1	
23	90282-05058	KEY, STRAIGHT	1	
24	55K-11530-00	BALANCER WIEGHT GEAR COMP. 43T	1	
25	90215-12272	WASHER, LOCK	1	
26	90170-12370	NUT	1	

**B4**

FIG. 3 WATER PUMP

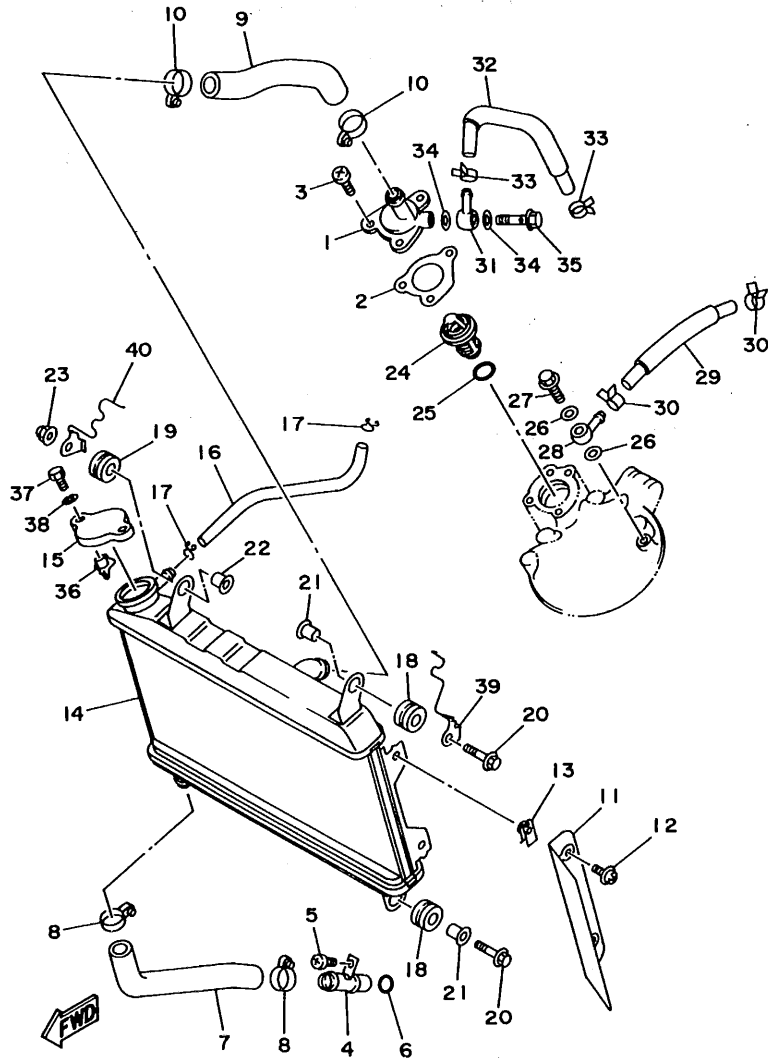
REF. NO.	PART NO.	DESCRIPTION	Q'TY	REMARKS
1	36F-12450-00	IMPELLER SHAFT ASSY	1	
2	93103-10168	OIL SEAL	1	
3	93603-22028	PIN, DOWEL	1	
4	2RH-12459-00	GEAR, IMPELLER SHAFT	1	
5	90201-08512	WASHER, PLATE	2	
6	99080-07600	CIRCLIP	1	
7	3BN-12422-11	COVER, HOUSING	1	
8	3BN-12428-11	GASKET, HOUSING COVER 2	1	
9	93604-10011	PIN, DOWEL	2	
10	98511-06025	SCREW, PAN HEAD	1	
11	98580-06565	SCREW, PAN HEAD	1	
12	95811-06025	BOLT, FLANGE	1	
13	90430-06166	GASKET	1	



3BN300-8030

B5

FIG. 4 RADIATOR. HOSE

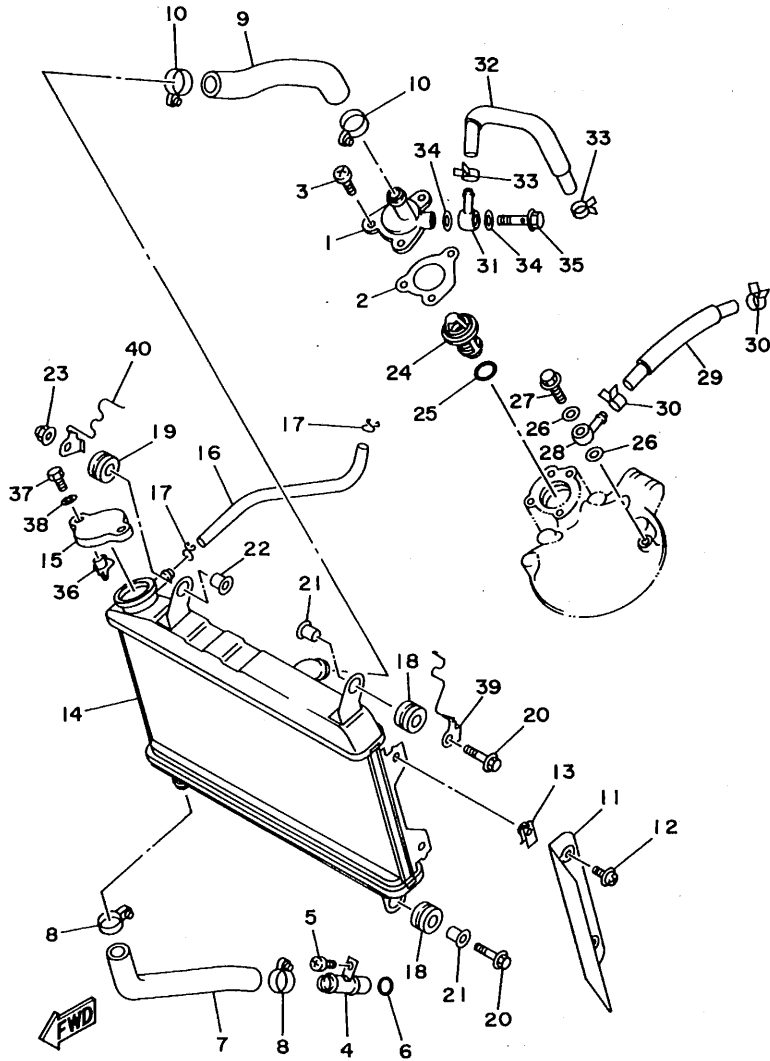


4FL1351-3040

REF. NO.	PART NO.	DESCRIPTION	Q'TY	REMARKS
1	3BN-12469-00	JOINT 1	1	
2	3BN-12414-10	GASKET, COVER	1	
3	98516-06020	SCREW, PAN HEAD	3	
4	4FL-12481-00	PIPE 1	1	
5	98511-06012	SCREW, PAN HEAD	1	
6	93210-12790	O-RING	1	
7	4FL-12482-00	PIPE 2	1	
8	90450-22052	HOSE CLAMP ASSY	2	
9	4FL-12483-00	PIPE 3	1	
10	90450-28014	HOSE CLAMP ASSY	2	
11	4FL-12467-00	COVER, RADIATOR	1	
12	90159-05183	SCREW, WITH WASHER	2	
13	90183-05044	NUT, SPRING	2	
14	4FL-12461-00	RADIATOR ASSY	1	
15	4FL-12462-00	CAP, RADIATOR	1	
16	90445-09123	HOSE	1	
17	90467-09006	CLIP	2	
18	90480-15363	GROMMET	2	
19	90480-10542	GROMMET	1	
20	95816-06025	BOLT, FLANGE	2	
21	90387-06388	COLLAR	2	
22	90387-066J1	COLLAR	1	
23	90176-06055	NUT, CROWN	1	
24	4FL-12411-00	THERMOSTAT	1	
25	93210-27778	O-RING	1	
26	90430-06166	GASKET	2	
27	90401-06115	BOLT, UNION	1	
28	90405-06044	UNION	1	

**B6**

FIG. 4 RADIATOR. HOSE



4FL1351-3040

REF. NO.	PART NO.	DESCRIPTION	Q'TY	REMARKS
29	4FL-1243A-00	HOSE 1	1	
30	90467-10035	CLIP	2	
31	90405-06044	UNION	1	
32	4FL-1243E-00	HOSE 2	1	
33	90467-10035	CLIP	2	
34	90430-06166	GASKET	2	
35	90401-06115	BOLT, UNION	1	
36	1KT-12437-00	STOPPER	1	
37	97006-05012	BOLT	1	
38	92906-05100	WASHER, SPRING	1	
39	4FL-21161-00	HOLDER, CABLE	1	
40	3XV-21162-01	HOLDER, CLUTCH CABLE	1	

**B7**

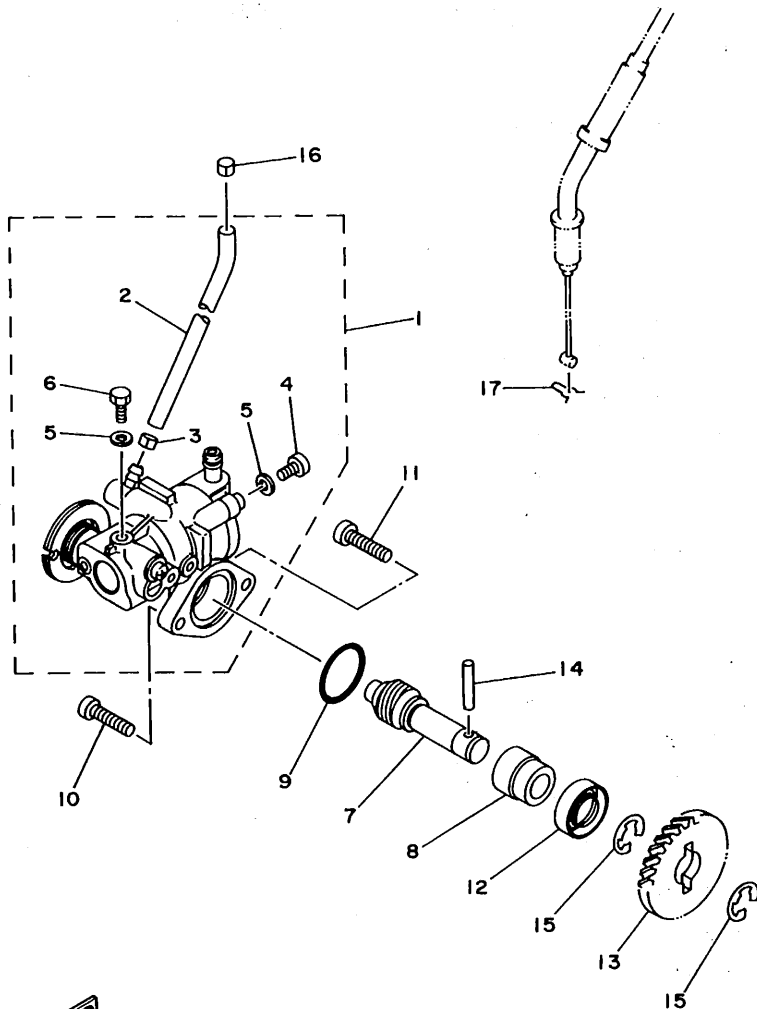


FIG. 5 OIL PUMP

REF. NO.	PART NO.	DESCRIPTION	Q'TY	REMARKS
1	4FL-13100-00	OIL PUMP ASSY	1	
2	90445-05278	.HOSE	1	
3	90468-02033	.CLIP	1	
4	98901-04006	.SCREW, BIND	1	
5	90430-04004	.GASKET	2	
6	90149-04307	.SCREW	1	
7	4FL-13175-00	SHAFT, WORM	1	
8	4FL-13176-00	METAL, WORM SHAFT OUTER	1	
9	93210-18397	O-RING	1	
10	98580-05014	SCREW, PAN HEAD	1	
11	90157-05079	SCREW, PAN HEAD	1	
12	93101-10090	OIL SEAL	1	
13	10V-13178-01	GEAR, PUMP DRIVE	1	
14	93603-22028	PIN, DOWEL	1	
15	93430-08036	CIRCLIP	2	
16	90468-02033	CLIP	1	
17	90468-08086	CLIP	1	

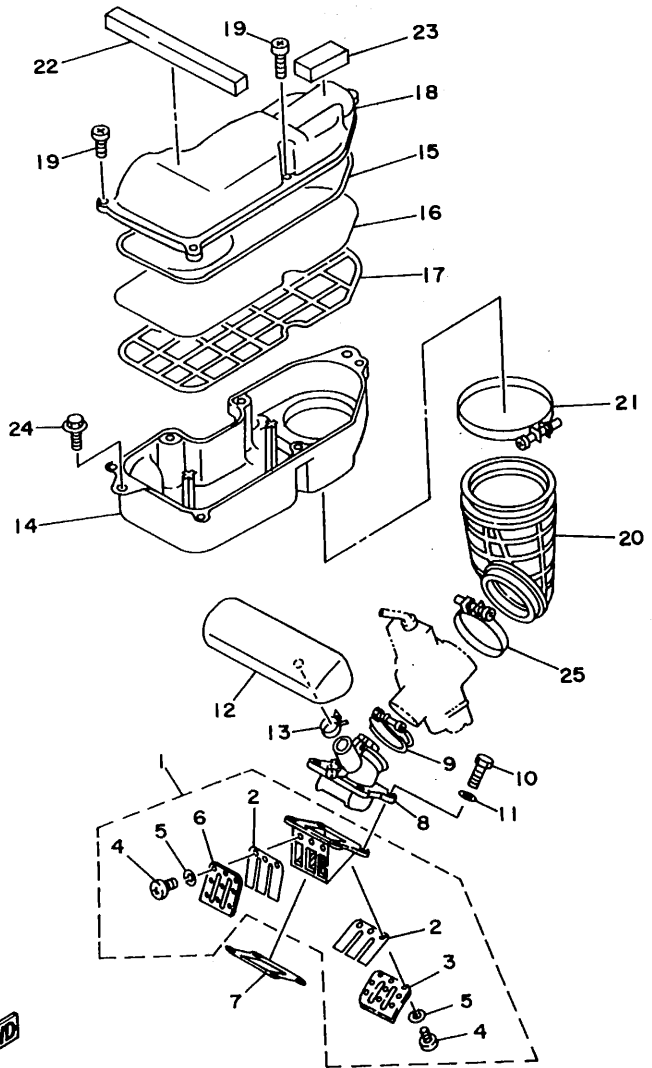


4FL135I-3050

**B8**

FIG. 6 INTAKE

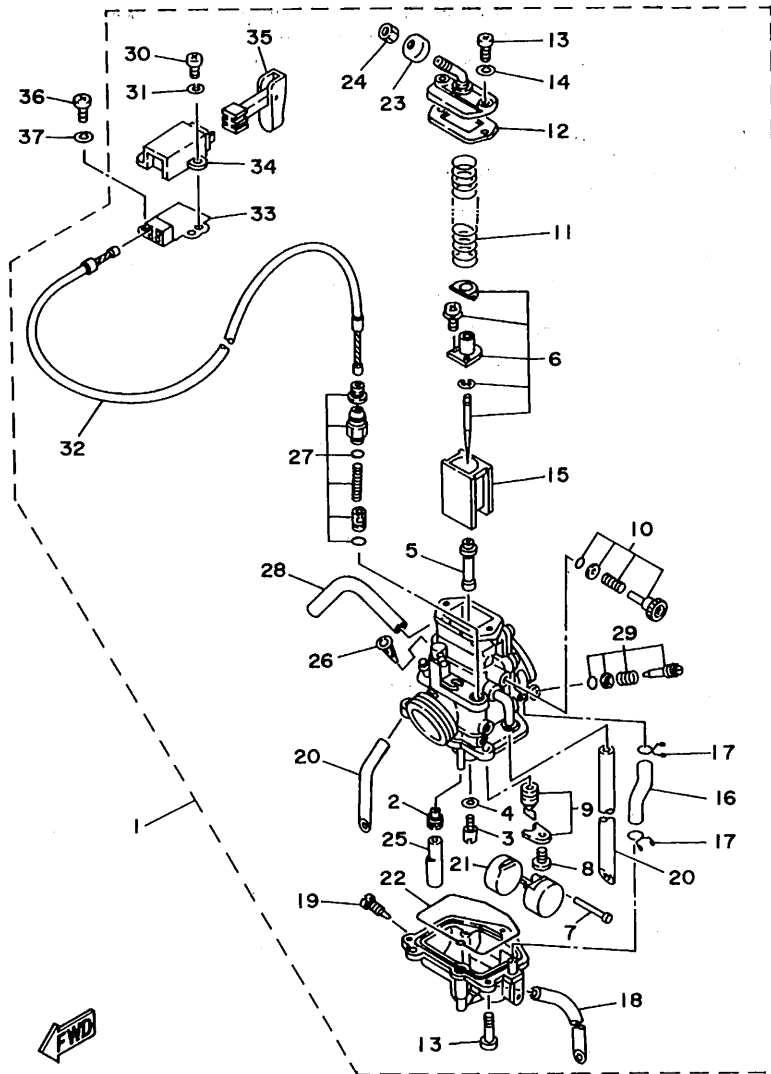
REF. NO.	PART NO.	DESCRIPTION	Q'TY	REMARKS
1	4FL-13610-00	REED VALVE ASSY	1	
2	4FL-13613-00	.REED, VALVE	2	
3	3BN-13616-00	.STOPPER, REED VALVE	1	
4	98580-03008	.SCREW, PAN HEAD	6	
5	92990-03100	.WASHER, SPRING	6	
6	3MB-13616-00	.STOPPER, REED VALVE	1	
7	1KT-13621-01	GASKET, VALVE SEAT	1	
8	4FL-13565-00	JOINT, CARBURETOR	1	
9	90450-44046	HOSE CLAMP ASSY	1	
10	97011-06025	BOLT	4	
11	92906-06600	WASHER, PLATE	4	
12	4FL-13581-00	CHAMBER, AIR	1	
13	90467-20050	CLIP	1	
14	3XV-14411-00	CASE, AIR CLEANER 1	1	
15	3XV-14462-00	SEAL	1	
16	3XV-14451-00	ELEMENT, AIR CLEANER	1	
17	3XV-14472-00	PLATE, ELEMENT	1	
18	3XV-14412-01	CAP, CLEANER CASE 1	1	
19	97706-50525	SCREW, TAPPING	6	
20	4FL-14453-00	JOINT, AIR CLEANER 1	1	
21	90450-99056	HOSE CLAMP ASSY	1	
22	2YK-14462-00	SEAL	1	
23	3KM-14462-00	SEAL	1	
24	90119-06096	BOLT, WITH WASHER	2	
25	1AE-13575-00	BAND	1	



**B9**



FIG. 7 CARBURETOR



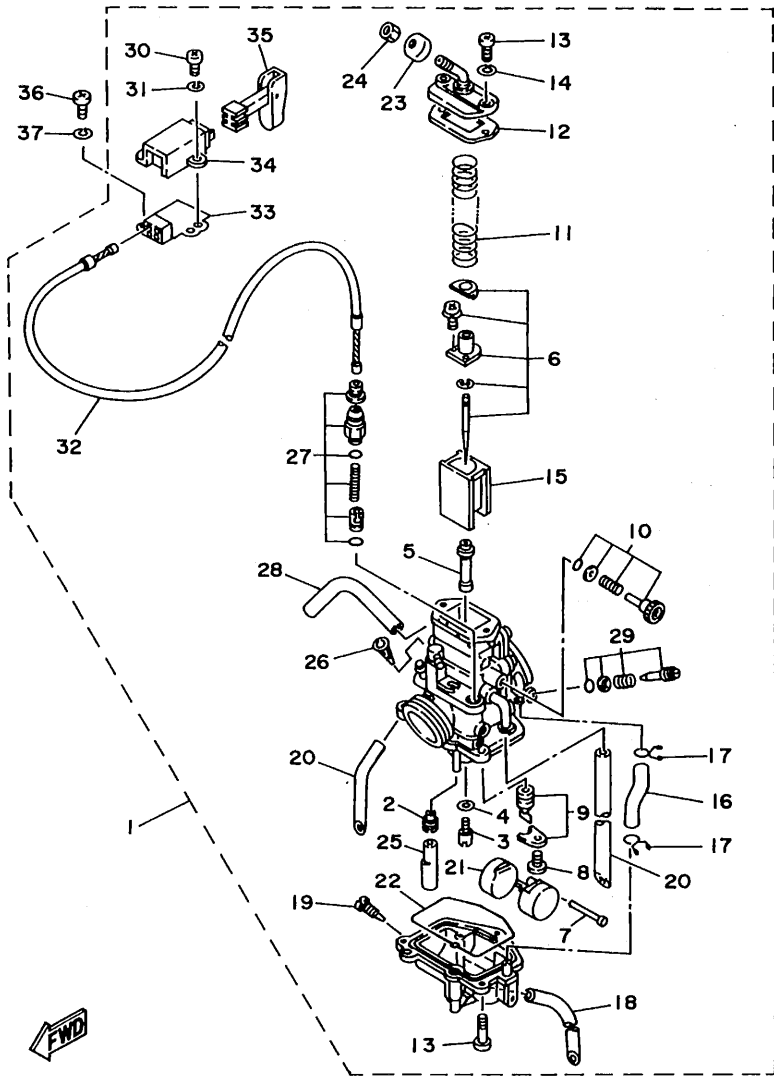
4FL1351-3070

REF. NO.	PART NO.	DESCRIPTION	Q'TY	REMARKS
1	4FL-14101-00	CARBURETOR ASSY 1	1	
2	193-14142-17	.JET, PILOT (#17.5)	1	
3	137-14143-42-A1	.JET, MAIN (#210)	1	
4	137-14153-00	.WASHER, MAIN JET	1	
5	1KT-14141-42	.NOZZLE, MAIN	1	
6	4FL-1490J-00	.NEEDLE SET	1	
7	537-14186-00	.PIN, FLOAT	1	
8	98580-04008	.SCREW, PAN HEAD	1	
9	2MA-14107-28	.NEEDLE VALVE SET	1	
10	3ET-14103-00	.THROTTLE SCREW SET	1	
11	1KT-14131-00	.SPRING, THROTTLE VALVE	1	
12	1KT-14198-00	.GASKET	1	
13	98503-04014	.SCREW, PAN HEAD	5	
14	92902-04100	.WASHER, SPRING	2	
15	3XV-14112-10	.VALVE, THROTTLE 1	1	
16	90445-07747	.HOSE	1	
17	8A7-14139-00	.CLIP, PIPE	2	
18	90445-05319	.HOSE	1	
19	53L-14191-00	.PLUG, DRAIN	1	
20	3MB-14197-00	.PIPE	2	
21	3XC-14185-00	.FLOAT	1	
22	1KT-14147-00	.O-RING	1	
23	3X3-14169-00	.CAP	1	
24	127-14161-00	.NUT, CABLE ADJUSTING	1	
25	1KT-14148-00	.PIPE	1	
26	1KT-14994-00	.NET, FILTER	1	
27	3XV-1410A-00	.STARTER SET	1	
28	87M-12484-00	.HOSE	1	

**B10**

FIG. 7 CARBURETOR

REF. NO.	PART NO.	DESCRIPTION	Q'TY	REMARKS
29	3MB-14104-00	.AIR SCREW SET	1	
30	98506-04010	.SCREW, PAN HEAD	2	
31	92906-04100	.WASHER, SPRING	2	
32	3XV-26331-00	.CABLE, STARTER 1	1	
33	4FL-14204-00	.CASE, STARTER	1	
34	47X-14205-00	.CAP, STARTER	1	
35	47X-14201-00	.CHOKE LEVER COMP.	1	
36	98506-04012	SCREW, PAN HEAD	2	
37	92906-04100	WASHER, SPRING	2	



4FL1351-3070

B11

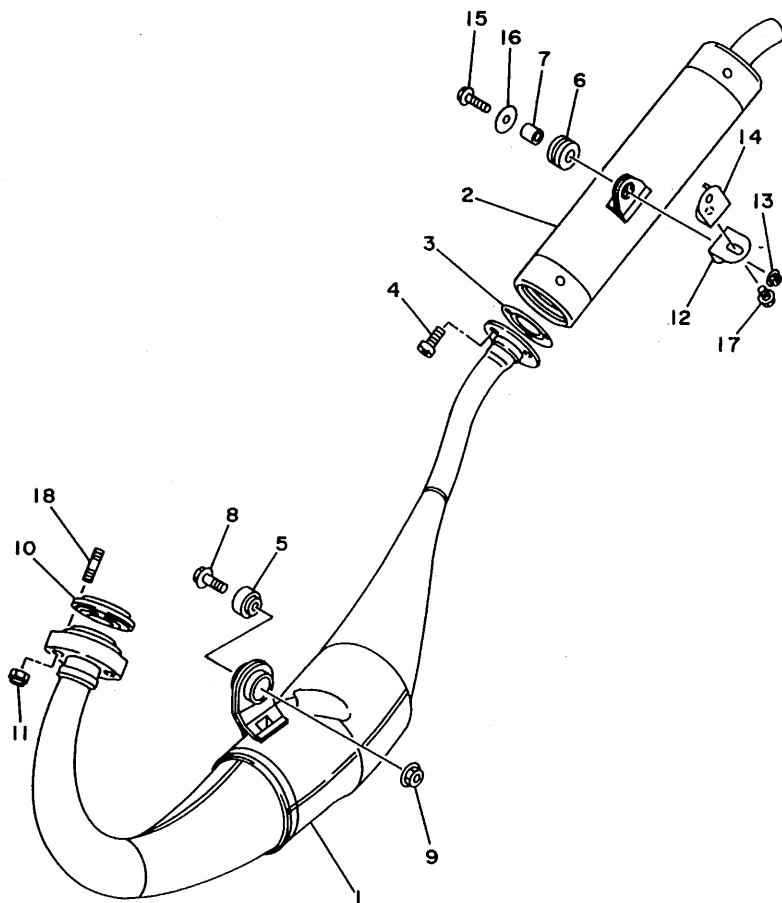


FIG. 8 EXHAUST

REF. NO.	PART NO.	DESCRIPTION	Q'TY	REMARKS
1	4FL-14711-00	MUFFLER 1	1	
2	4FL-14753-00	SILENCER, EXHAUST	1	
3	3XV-14755-01	GASKET, SILENCER	1	
4	91316-06016	BOLT	3	
5	1NW-27414-00	DAMPER, FOOTREST	1	
6	90480-18411	GROMMET	1	
7	90387-105L0	COLLAR	1	
8	95816-08035	BOLT, FLANGE	1	
9	95701-08500	NUT, FLANGE	1	
10	3PA-14613-10	GASKET, EXHAUST PIPE	1	
11	90179-08270	NUT	2	
12	4FL-14744-00	BRACKET	1	
13	95706-06500	NUT, FLANGE	1	
14	4FL-14744-10	BRACKET	1	
15	95816-06025	BOLT, FLANGE	1	
16	90201-060A3	WASHER, PLATE	1	
17	95816-06012	BOLT, FLANGE	1	
18	90116-08042	BOLT, STUD	2	

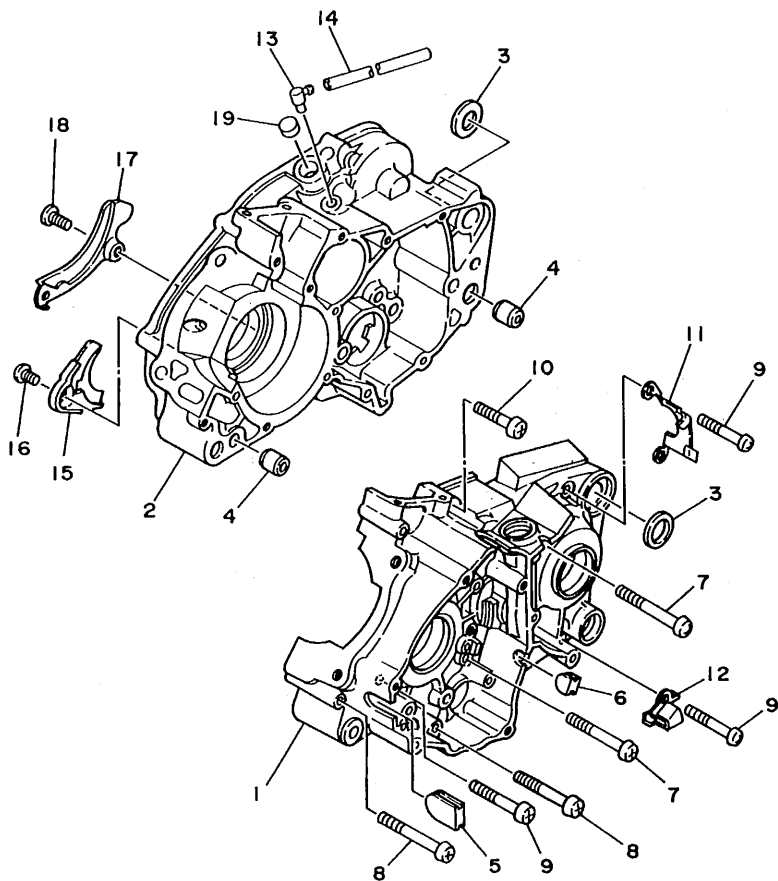


4FL1351-3080

**B12**

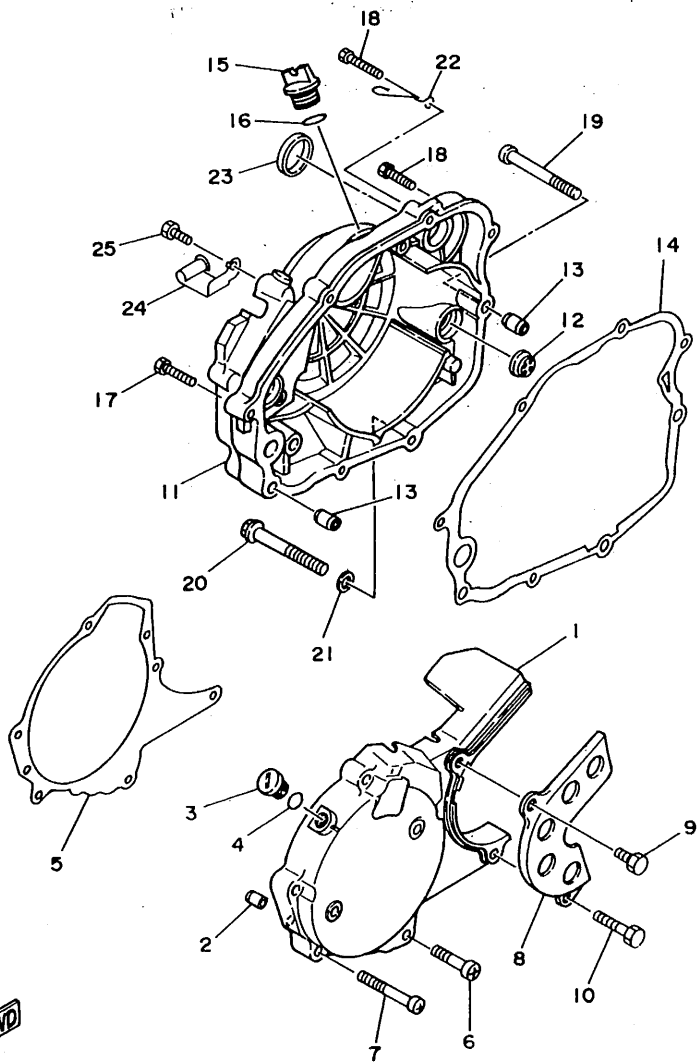
FIG. 9 CRANKCASE

REF. NO.	PART NO.	DESCRIPTION	Q'TY	REMARKS
1	3MB-15111-02	CRANKCASE 1	1	
2	3BN-15121-03	CRANKCASE 2	1	
3	90201-170M2	WASHER, PLATE	2	
4	99510-12016	PIN, DOWEL	2	
5	3MB-15167-00	PLUG, BLIND 1	2	
6	3MB-15168-00	PLUG, BLIND 2	1	
7	92580-06560	SCREW, PAN HEAD	4	
8	98580-06565	SCREW, PAN HEAD	3	
9	98580-06550	SCREW, PAN HEAD	5	
10	98580-06040	SCREW, PAN HEAD	1	
11	90462-08189	CLAMP	1	
12	90462-10190	CLAMP	1	
13	583-15371-00	BREATHER	1	
14	90446-07228	HOSE	1	
15	37F-15128-00	HOLDER	1	
16	98501-08010	SCREW, PAN HEAD	1	
17	2RH-15492-00	COVER	1	
18	98511-06012	SCREW, PAN HEAD	2	
19	90338-16029	PLUG	1	



4FL1351-3090

**B13**



4FL1351-3100

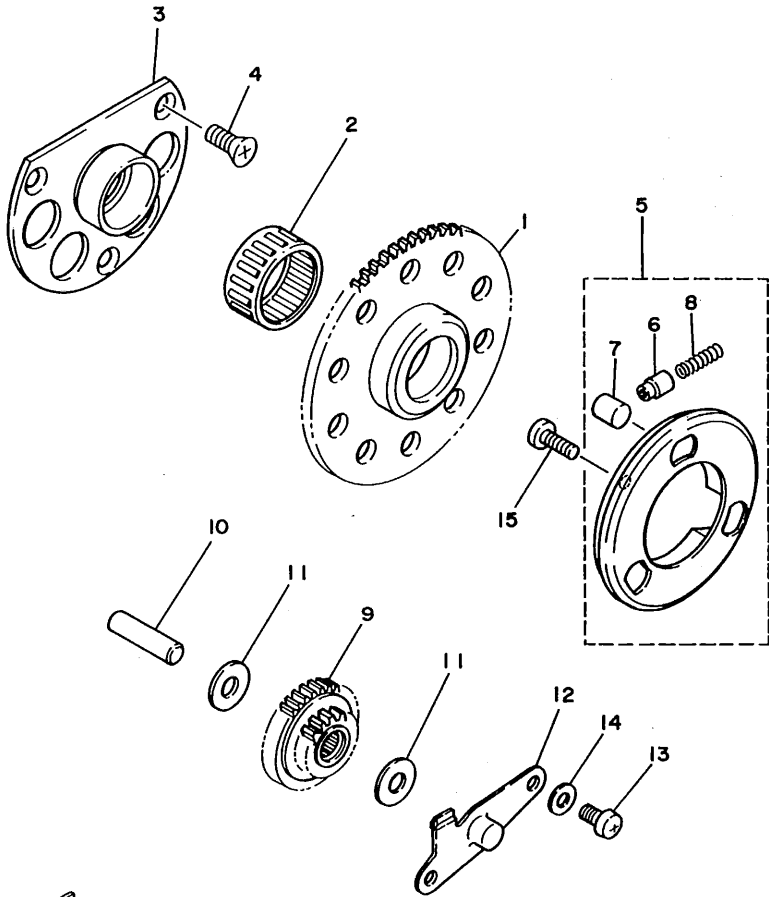
FIG. 10 CRANKCASE COVER 1

REF. NO.	PART NO.	DESCRIPTION	Q'TY	REMARKS
1	3MB-15411-11	COVER, CRANKCASE 1	1	
2	93606-14081	PIN, DOWEL	2	
3	90340-14068	PLUG, STRAIGHT SCREW	1	
4	93210-14369	O-RING	1	
5	3MB-15455-11	GASKET 1	1	
6	98580-06035	SCREW, PAN HEAD	1	
7	92580-06560	SCREW, PAN HEAD	4	
8	3MB-15431-10	COVER, CRANKCASE 3	1	
9	95023-06010	BOLT	1	
10	95023-06035	BOLT	1	
11	3BN-15421-10	COVER, CRANKCASE 2	1	
12	3Y1-15361-00	GAUGE, LEVEL	1	
13	99530-10014	PIN, DOWEL	2	
14	3BN-15451-10	GASKET, CRANKCASE COVER 1	1	
15	1RG-15363-00	PLUG, OIL	1	
16	93210-19123	O-RING	1	
17	98580-06030	SCREW, PAN HEAD	4	
18	98580-06030	SCREW, PAN HEAD	1	
19	98580-06040	SCREW, PAN HEAD	1	
20	95801-08080	BOLT, FLANGE	1	
21	90201-08087	WASHER, PLATE	1	
22	90462-20029	CLAMP	1	
23	90338-30234	PLUG	1	
24	4FL-13151-00	STAY	1	
25	90110-06145	BOLT, HEXAGON SOCKET HEAD	1	

**B14**

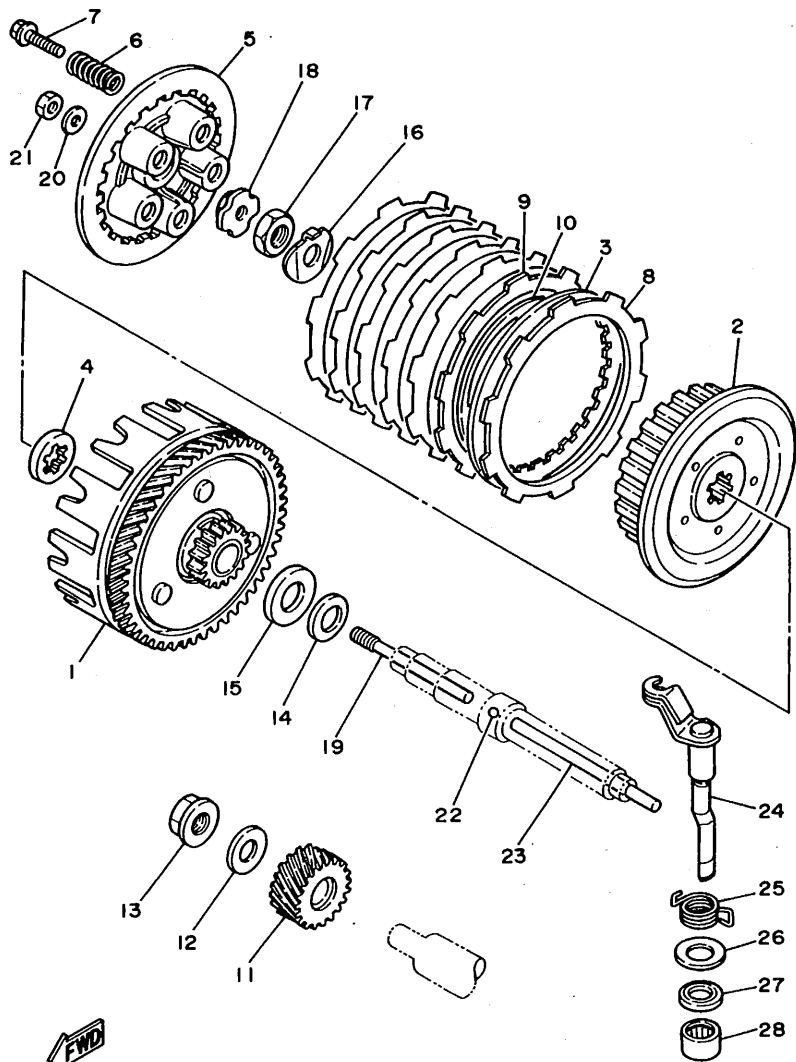
FIG. 11 STARTER

REF. NO.	PART NO.	DESCRIPTION	Q'TY	REMARKS
1	3AY-15524-00	WHEEL, STARTER	1	
2	93310-230B1	BEARING, CYLINDRICAL	1	
3	3MB-15544-00	STAY 1	1	
4	90151-06041	SCREW, COUNTERSUNK	3	
5	3AY-15580-00	STARTER CLUTCH OUTER ASSY	1	
6	3AY-15583-00	.CAP, STARTER CLUTCH SPRING	3	
7	93610-10174	.PIN, DOWEL	3	
8	90501-02639	.SPRING, COMPRESSION	3	
9	50W-15650-00	IDLE GEAR ASSY (48T/14T)	1	
10	50M-13342-00	SHAFT, IDLE GEAR	1	
11	90201-087H6	WASHER, PLATE	2	
12	3MB-15532-00	PLATE, IDLE GEAR	1	
13	98580-06040	SCREW, PAN HEAD	2	
14	92901-06600	WASHER, PLATE	2	
15	91312-06012	BOLT	3	



3MB1300-9120

**B15**



3BN300-8120

FIG. 12 CLUTCH

REF. NO.	PART NO.	DESCRIPTION	Q'TY	REMARKS
1	3BN-16150-01	PRIMARY DRIVEN GEAR COMP.	1	
2	2TV-16371-00	BOSS, CLUTCH	1	
3	1V1-16324-00	PLATE, CLUTCH 1	6	
4	2TV-16154-00	PLATE, THRUST 1	1	
5	37F-16351-00	PLATE, PRESSURE 1	1	
6	90501-20644	SPRING, COMPRESSION	5	
7	90119-05001	BOLT, WITH WASHER	5	
8	21V-16321-00	PLATE, FRICTION	6	
9	1HX-16331-00	PLATE, FRICTION 2	1	
10	3BN-16383-00	SPRING, CLUTCH BOSS	1	
11	4FU-16111-00	GEAR, PRIMARY DRIVE	1	
12	90201-120E8	WASHER, PLATE	1	
13	90179-12244	NUT	1	
14	90208-18046	WASHER, CONICAL SPRING	1	
15	90201-180P2	WASHER, PLATE	1	
16	90215-12271	WASHER, LOCK	1	
17	90170-12370	NUT	1	
18	30X-16358-00	PLATE, PUSH	1	
19	1W1-16356-02	ROD, PUSH 1	1	
20	92901-06200	WASHER, PLAIN	1	
21	95601-06200	NUT, SELF-LOCKING	1	
22	93503-16010	BALL	1	
23	3R1-16357-00	ROD, PUSH 2	1	
24	3BN-16380-00	PUSH LEVER ASSY	1	
25	90508-18765	SPRING, TORSION	1	
26	90201-14217	WASHER, PLATE	1	
27	93104-14059	OIL SEAL	1	
28	93315-21429	BEARING, CYLINDRICAL	1	

C2

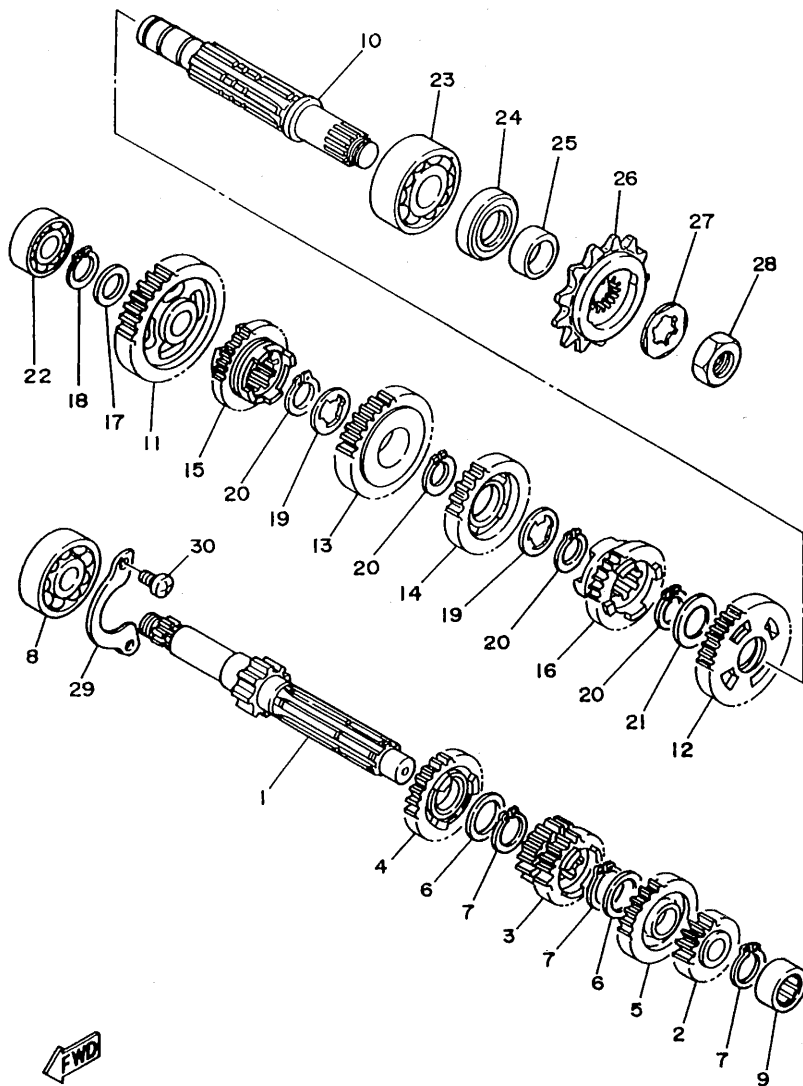


FIG. 13 TRANSMISSION

REF. NO.	PART NO.	DESCRIPTION	Q'TY	REMARKS
1	3MB-17411-01	AXLE, MAIN	1	
2	2RH-17121-00	GEAR, 2ND PINION (16T)	1	
3	2RH-17131-01	GEAR, 3RD/4TH PINION (19T-21T)	1	
4	2RH-17151-01	GEAR, 5TH PINION (23T)	1	
5	3RR-17161-01	GEAR, 6TH PINION (24T)	1	
6	90201-20266	WASHER, PLATE (1.0T)	2	
7	93410-20038	CIRCLIP	3	
8	93306-20417	BEARING (B62042RS)	1	
9	93311-31567	BEARING, CYLINDRICAL	1	
10	3BN-17421-00	AXLE, DRIVE	1	
11	2TV-17211-01	GEAR, 1ST WHEEL (34T)	1	
12	2RH-17221-00	GEAR, 2ND WHEEL (29T)	1	
13	2RH-17231-00	GEAR, 3RD WHEEL (26T)	1	
14	3RR-17241-00	GEAR, 4TH WHEEL	1	
15	2RH-17251-01	GEAR, 5TH WHEEL (23T)	1	
16	3RR-17261-00	GEAR, 6TH WHEEL	1	
17	90201-154E8	WASHER, PLATE	1	
18	99009-15400	CIRCLIP	1	
19	90209-18135	WASHER	2	
20	93410-22039	CIRCLIP	4	
21	90201-22555	WASHER, PLATE	1	
22	93306-20211	BEARING (6202SH2-C3)	1	
23	93306-30421	BEARING (B6304C3)	1	
24	93102-26042	OIL SEAL	1	
25	90387-205U0	COLLAR	1	
26	3RM-17460-00	SPROCKET, DRIVE	1	
27	90215-20283	WASHER, LOCK	1	
28	90179-16226	NUT	1	



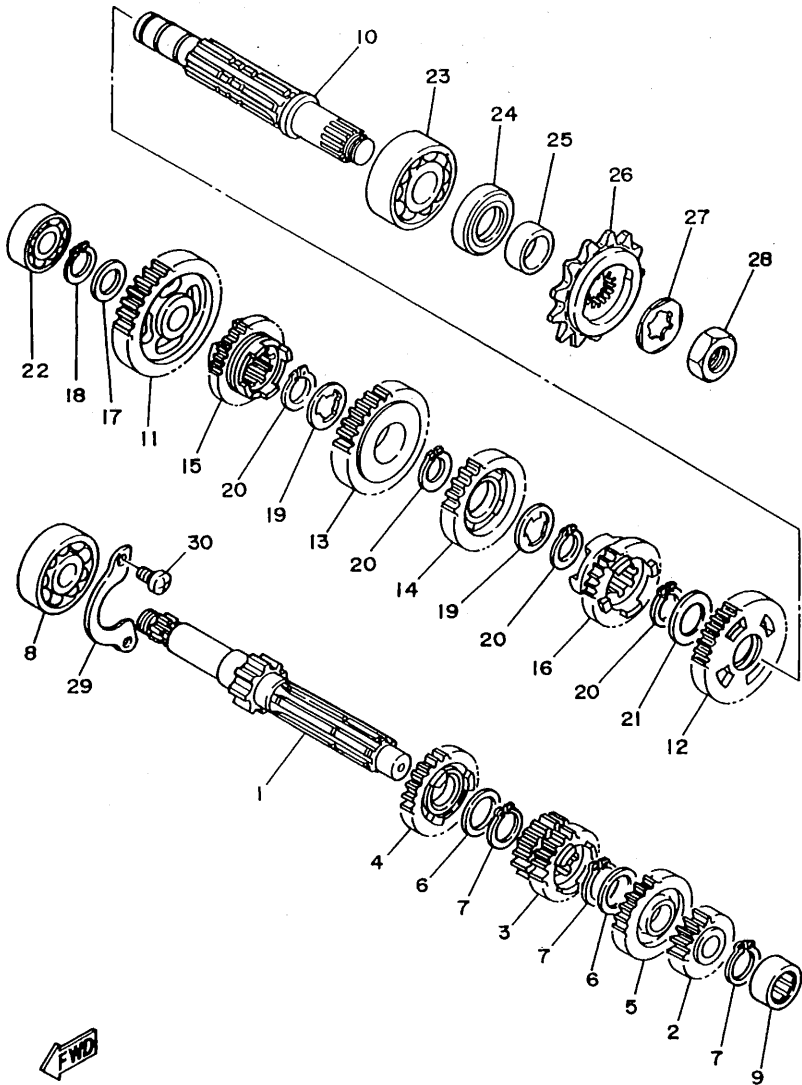
4FL1351-3130

C3



FIG. 13 TRANSMISSION

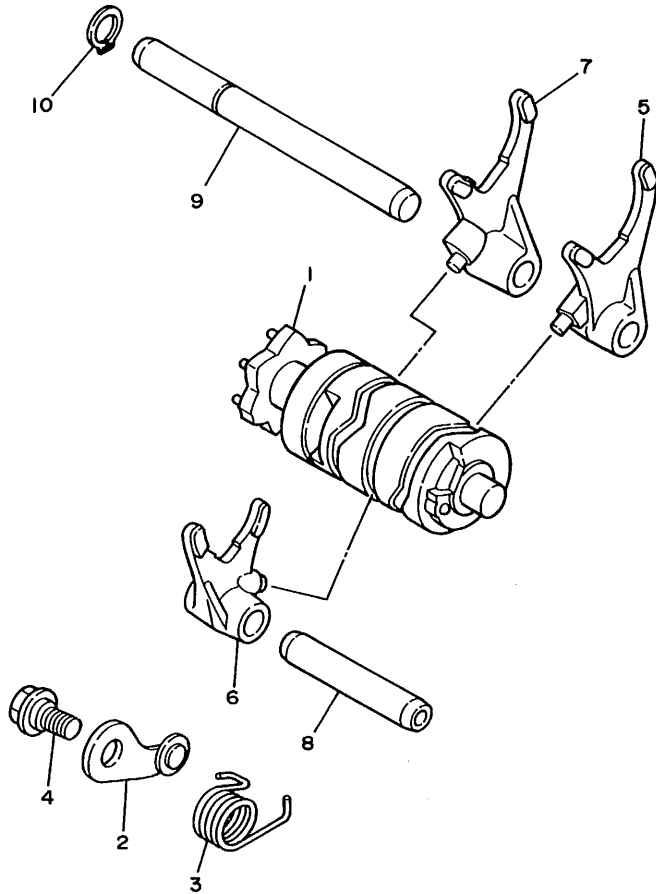
REF. NO.	PART NO.	DESCRIPTION	Q'TY	REMARKS
29	55K-17471-00	PLATE, COVER	1	
30	98511-06012	SCREW, PAN HEAD	2	



4FL1351-3130

**C4**

FIG. 14 SHIFT CAM. FORK

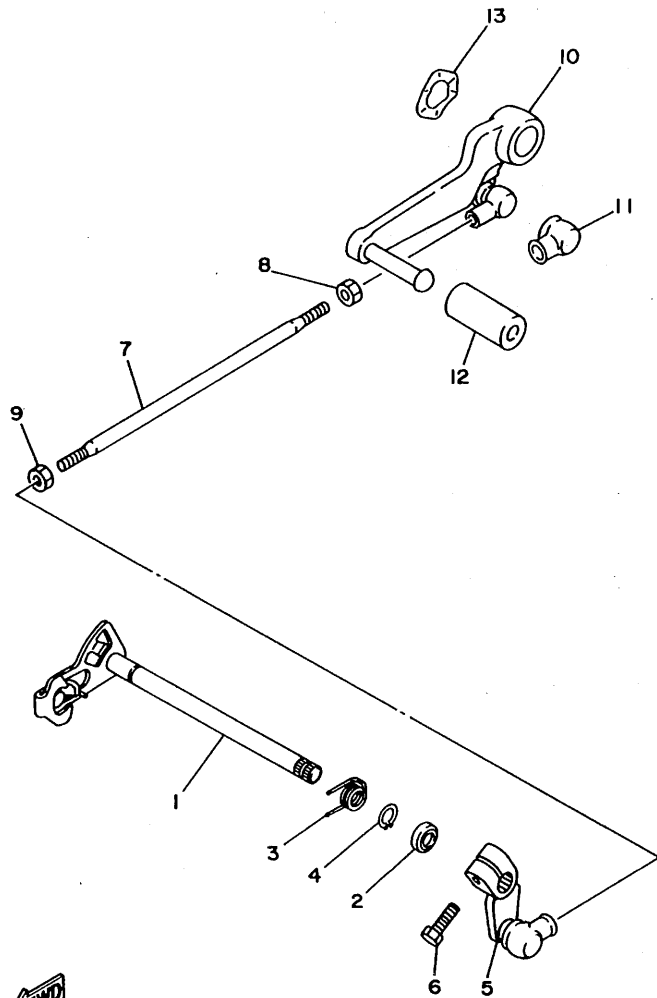


REF. NO.	PART NO.	DESCRIPTION	Q'TY	REMARKS
1	3XP-18540-00	SHIFT CAM ASSY	1	
2	3BN-18140-00	STOPPER LEVER ASSY	1	
3	90508-26681	SPRING, TORSION	1	
4	90109-063F7	BOLT	1	
5	55K-18511-01	FORK, SHIFT 1	1	
6	2RH-18512-00	FORK, SHIFT 2	1	
7	55K-18513-00	FORK, SHIFT 3	1	
8	55K-18531-00	BAR, SHIFT FORK GUIDE 1	1	
9	3BN-18535-00	BAR, SHIFT FORK GUIDE 2	1	
10	99009-10400	CIRCLIP	1	



3BN300-8150

C5



4FL1351-3150

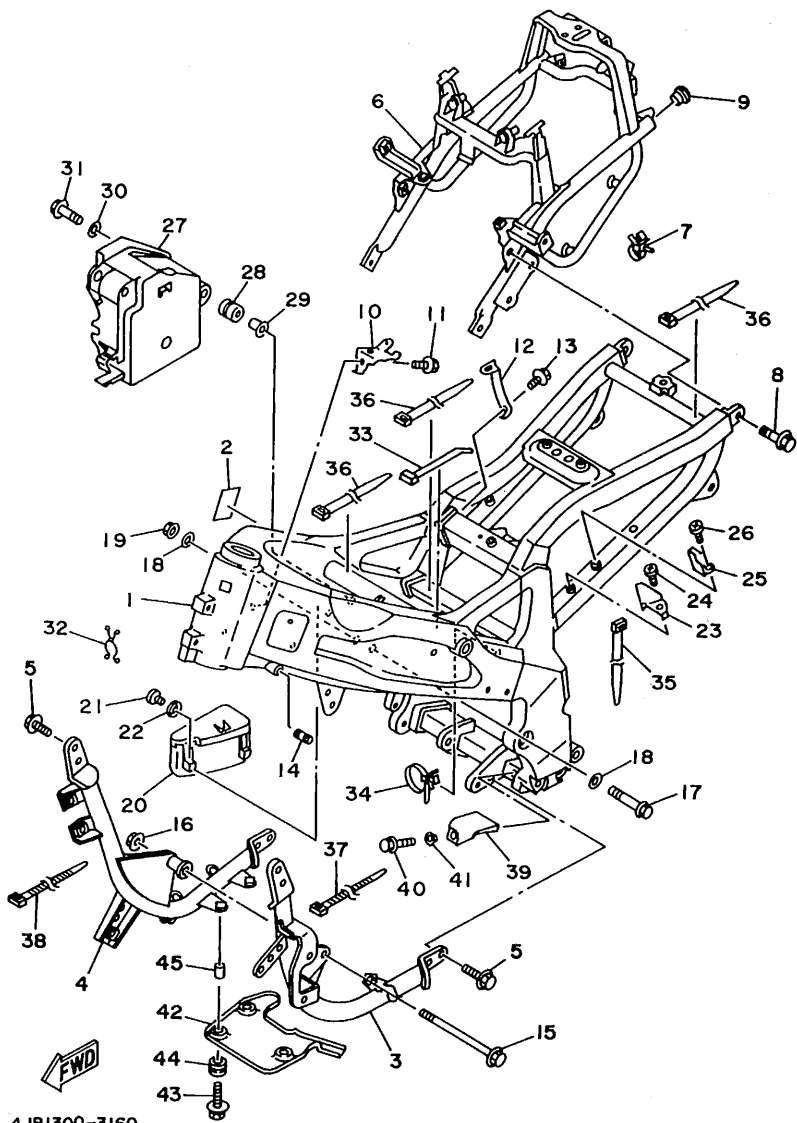
FIG. 15 SHIFT SHAFT

REF. NO.	PART NO.	DESCRIPTION	Q'TY	REMARKS
1	10W-18101-03	SHIFT SHAFT ASSY	1	
2	93101-12060	OIL SEAL	1	
3	90508-32553	SPRING, TORSION	1	
4	99006-10600	CIRCLIP	1	
5	3XV-18130-00	SHIFT SHAFT ASSY	1	
6	97011-06020	BOLT	1	
7	4FL-18115-00	ROD, SHIFT	1	
8	90170-06228	NUT (COUNTER CLOCKWISE)	1	
9	95380-06700	NUT	1	
10	3XV-18111-00	PEDAL, SHIFT	1	
11	2H9-18154-00	COVER, DUST	1	
12	132-18113-01	COVER, SHIFT PEDAL	1	
13	90206-17084	WASHER, WAVE	1	

C6

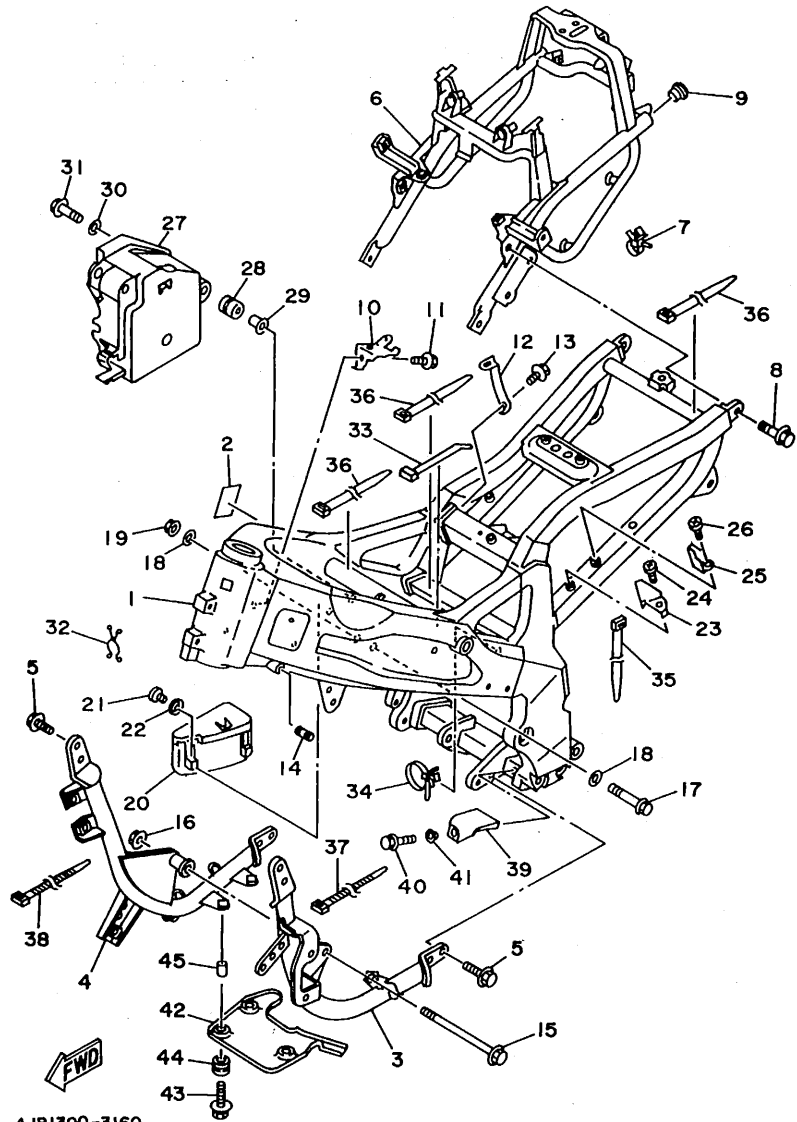
FIG. 16 FRAME

REF. NO.	PART NO.	DESCRIPTION	Q'TY	REMARKS
1	4FL-21110-00	FRAME COMP.	1	
2	3SP-21732-00	SEAL 1	1	
3	4FL-21140-00	DOWN TUBE COMP.	1	UR
	4HX-21140-00	DOWN TUBE COMP.	1	UR FOR CHE/FIN/AUT
4	4FL-21150-00	DOWN TUBE COMP. 2	1	UR
	4HX-21150-00	DOWN TUBE COMP. 2	1	UR FOR CHE/FIN/AUT
5	95821-08025	BOLT, FLANGE	8	
6	4FL-21190-00	REAR FRAME COMP.	1	
7	90464-12089	CLAMP	2	
8	91011-08020	BOLT, FLANGE	4	
9	90338-16148	PLUG	2	
10	3XV-2164F-00	STAY 1	1	
11	95811-06016	BOLT, FLANGE	1	
12	3XV-2164G-00	STAY 2	1	
13	95816-06016	BOLT, FLANGE	1	
14	95622-06325	BOLT, STUD	1	
15	90105-10117	BOLT, WASHER BASED	1	
16	95701-10500	NUT, FLANGE	1	
17	95811-08065	BOLT, FLANGE	1	
18	90201-08107	WASHER, PLATE	2	
19	95701-08500	NUT, FLANGE	1	
20	3XV-21171-00	BOX	1	
21	90269-05039	RIVET	2	
22	90202-05180	WASHER, PLATE	2	
23	3XV-21596-00	HOLDER	1	
24	98980-06020	SCREW, BIND	1	
25	3XV-21597-00	HOLDER, WIRE 1	1	
26	98980-06020	SCREW, BIND	1	



4JB1300-3160

C7



4JB1300-3160

FIG. 16 FRAME

REF. NO.	PART NO.	DESCRIPTION	Q'TY	REMARKS
27	4FL-2177G-00	BOX, BATTERY	1	
28	90480-14412	GROMMET	2	
29	90387-066H4	COLLAR	2	
30	90201-06059	WASHER, PLATE	2	
31	95816-06040	BOLT, FLANGE	2	
32	90464-24042	CLAMP	1	
33	34X-23192-50	BAND	1	
34	90464-12164	CLAMP	1	
35	1UA-82591-00	BAND	3	
36	1UA-82591-00	BAND	5	
37	1UA-82591-00	BAND	1	
38	1UA-82591-00	BAND	1	
39	4FL-22147-00	PROTECTOR, CHAIN	1	
40	95826-06020	BOLT, FLANGE	1	
41	90387-06681	COLLAR	1	
42	4HX-21183-00	PLATE	1	FOR CHE/FIN/AUT
43	90119-06063	BOLT, WITH WASHER	3	FOR CHE/FIN/AUT
44	90480-13163	GROMMET	3	FOR CHE/FIN/AUT
45	90387-062N2	COLLAR	3	FOR CHE/FIN/AUT

C8

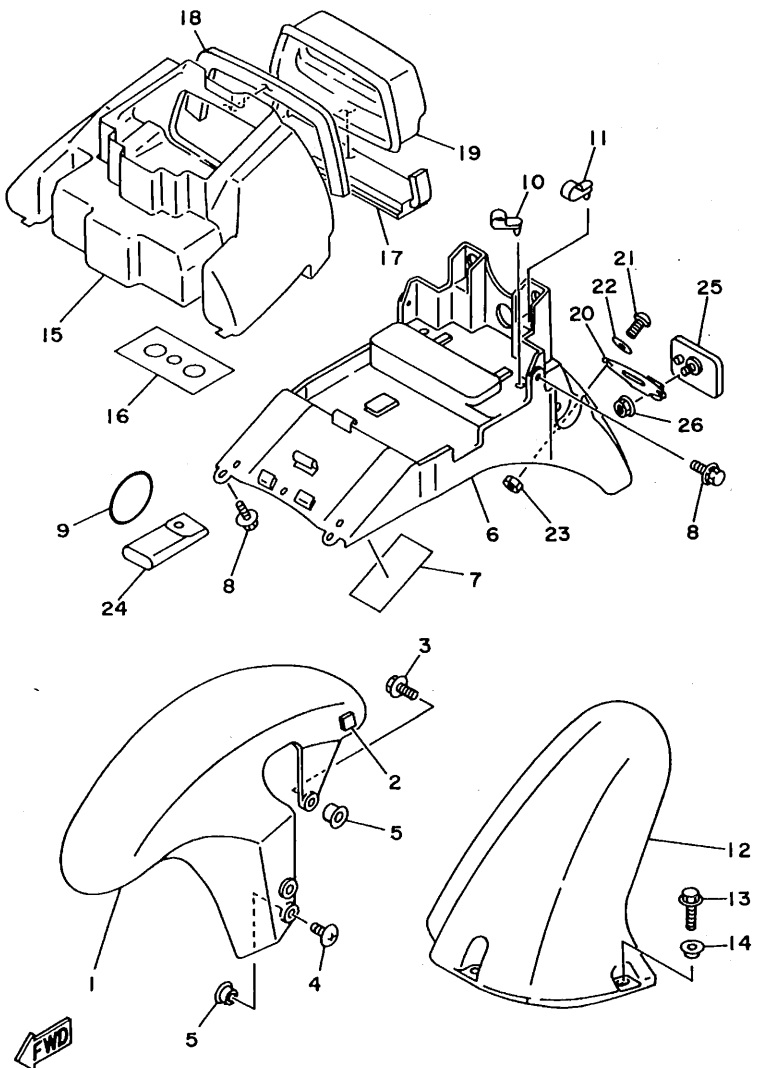
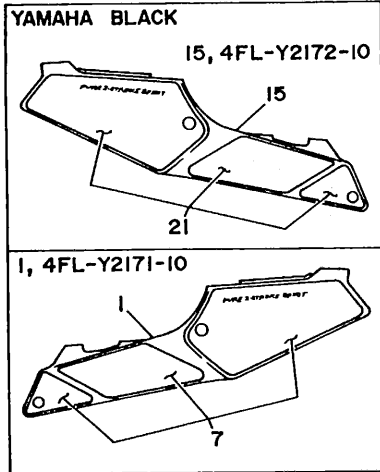
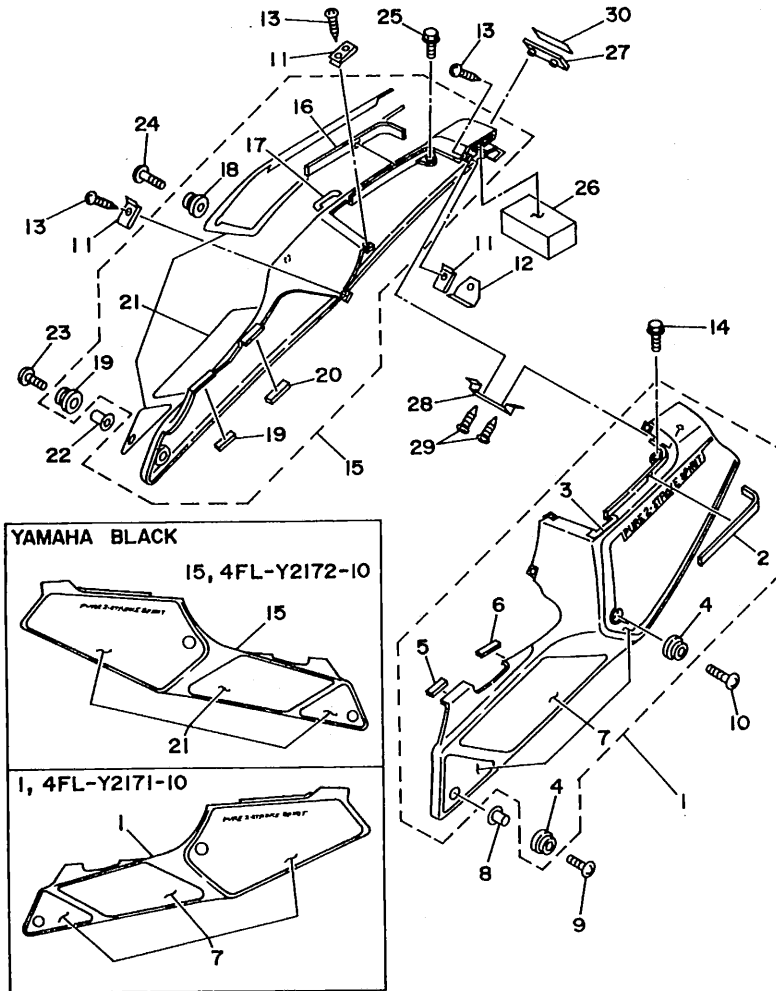


FIG. 17 FENDER

REF. NO.	PART NO.	DESCRIPTION	Q'TY	REMARKS
1	4FL-21511-00	FENDER, FRONT	1	UR PURPLISH WHITE SOLID 1
	4FL-21511-10	FENDER, FRONT	1	UR YAMAHA BLACK
2	2AL-84553-00	DAMPER	1	
3	90119-06096	BOLT, WITH WASHER	2	
4	90150-06031	SCREW, ROUND HEAD	4	
5	90387-06681	COLLAR	6	
6	4FL-21611-00	FENDER, REAR	1	
7	3XV-21649-00	DAMPER	1	
8	90119-06108	BOLT, WITH WASHER	4	
9	93210-61750	O-RING	1	
10	90464-12027	CLAMP	1	
11	90464-12158	CLAMP	1	
12	3XV-21650-10	REAR FENDER COMP.	1	
13	95026-06016	BOLT, FLANGE	3	
14	90387-062M9	COLLAR	3	
15	3XV-2160A-00	BOX COMP.	1	
16	3XV-21639-00	DAMPER 2	1	
17	3XV-2173N-00	SEAL 4	1	
18	3XV-21669-00	SEAL	1	
19	3XV-2160F-00	LID	1	
20	3HE-85132-01	BRACKET, REFLECTOR 1	1	
21	90149-04278	SCREW	2	
22	90201-047A2	WASHER, PLATE	2	
23	95601-04100	NUT, U	2	
24	4FL-28100-00	TOOL KIT	1	
25	3G1-85130-01	REAR REFLECTOR ASSY	1	
26	95701-05500	NUT, FLANGE	1	

4FL1351-3170

FIG. 18 SIDE COVER



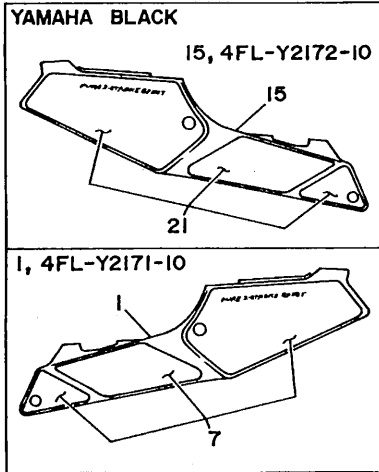
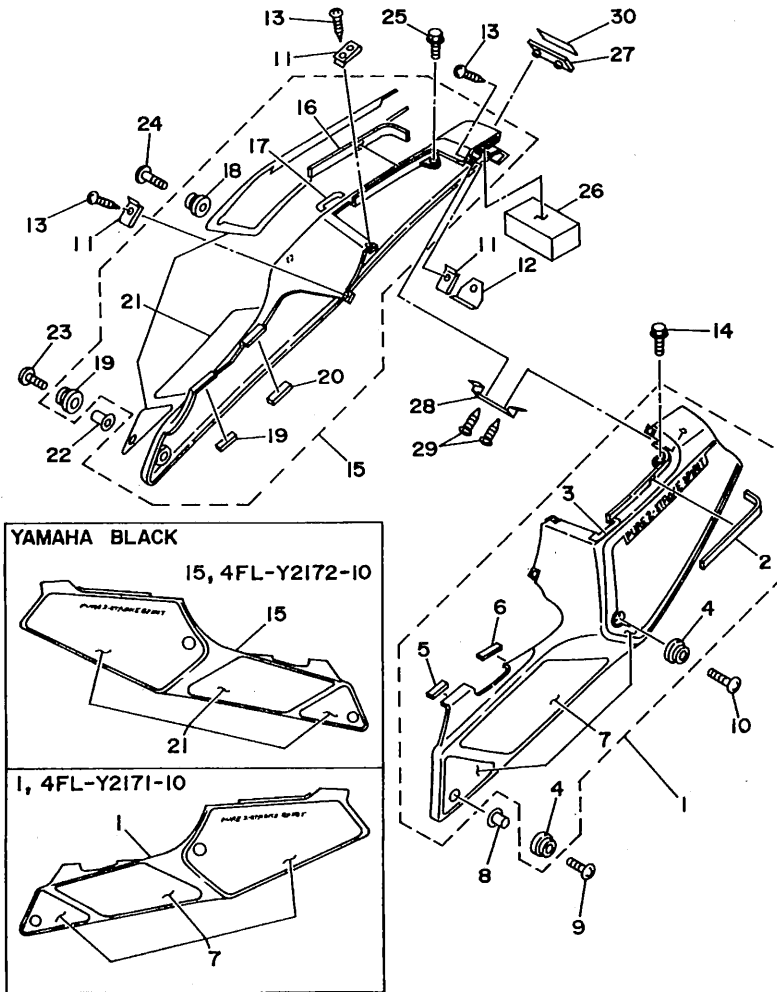
4FL1351-3180

REF. NO.	PART NO.	DESCRIPTION	Q'TY	REMARKS
1	4FL-Y2171-00	COVER, SIDE 1	1	UR PURPLISH WHITE SOLID 1
	4FL-Y2171-10	COVER, SIDE 1	1	UR YAMAHA BLACK
2	3XV-2173M-00	.SEAL 3	1	
3	3XV-2173T-00	.TAPE 1	1	
4	90480-13398	.GROMMET	2	
5	3XV-21717-00	.DAMPER, SIDE COVER	1	
6	3XV-21778-00	.DAMPER, LOCATING 1	1	
7	4FL-2173L-00	.GRAPHIC SET 1	1	UR FOR PWS1
	4FL-2173L-10	.GRAPHIC SET 1	1	UR FOR YB
8	90387-067N5	COLLAR	1	
9	90154-06061	SCREW, BINDING	1	
10	90150-06036	SCREW, ROUND HEAD	1	
11	90183-04064	NUT, SPRING	3	
12	3XV-2176E-00	PLATE	1	
13	97706-40010	SCREW, TAPPING	3	
14	90119-06042	BOLT, WITH WASHER	1	
15	4FL-Y2172-00	COVER, SIDE 2	1	UR PURPLISH WHITE SOLID 1
	4FL-Y2172-10	COVER, SIDE 2	1	UR YAMAHA BLACK
16	3XV-2173M-00	.SEAL 3	1	
17	3XV-2173T-00	.TAPE 1	1	
18	90480-13398	.GROMMET	2	
19	3XV-21717-00	.DAMPER, SIDE COVER	1	
20	3XV-21778-00	.DAMPER, LOCATING 1	1	
21	4FL-2174L-00	.GRAPHIC SET 2	1	UR FOR PWS1
	4FL-2174L-10	.GRAPHIC SET 2	1	UR FOR YB
22	90387-067N5	COLLAR	1	
23	90154-06061	SCREW, BINDING	1	
24	90150-06036	SCREW, ROUND HEAD	1	

**C10**

FIG. 18 SIDE COVER

REF. NO.	PART NO.	DESCRIPTION	Q'TY	REMARKS
25	90119-06042	BOLT, WITH WASHER	1	
26	4FL-21747-01	DAMPER	1	
27	3XV-21782-00-P3	EMBLEM 2	1	UR PURPLISH WHITE SOLID 1
	3XV-21782-00-33	EMBLEM 2	1	UR YAMAHA BLACK
28	3XV-2171H-00	GUIDE	1	
29	97706-40008	SCREW, TAPPING	2	
30	99234-00080	EMBLEM, YAMAHA	1	UR FOR PWS1
	99236-00080	EMBLEM, YAMAHA	1	UR FOR YB

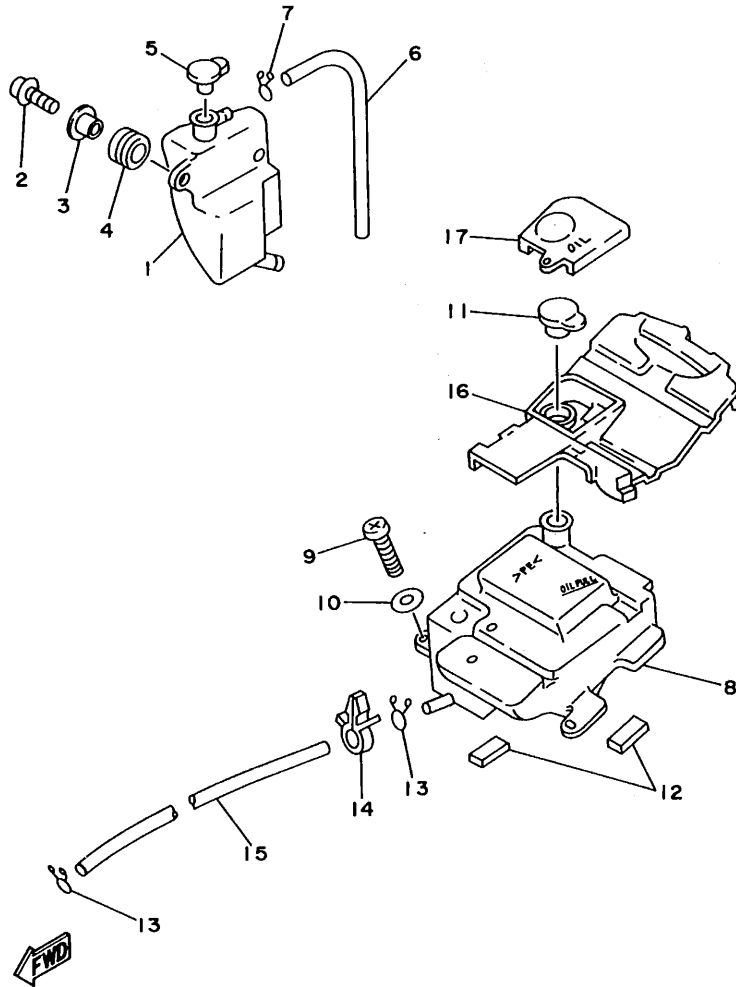


4FL1351-3180

C11



FIG. 19 OIL TANK



4FL1351-3190

REF. NO.	PART NO.	DESCRIPTION	Q'TY	REMARKS
1	4FL-21871-00	TANK, RECOVERY	1	
2	91001-06025	BOLT, FLANGE	2	
3	90387-06388	COLLAR	2	
4	90480-14023	GROMMET	2	
5	1AA-21815-00	CAP	1	
6	90445-081H0	HOSE	1	
7	90467-08003	CLIP	1	
8	4FL-21751-00	TANK, OIL	1	
9	98980-06020	SCREW, BIND	2	
10	90201-06263	WASHER, PLATE	1	
11	2N3-21771-01	BODY, CAP	1	
12	3XV-24198-00	SEAT, RUBBER	2	
13	90467-09006	CLIP	2	
14	90464-15157	CLAMP	1	
15	90445-09111	HOSE	1	
16	4FL-82129-00	COVER, BATTERY	1	
17	3XV-2172W-00	COVER	1	

C12

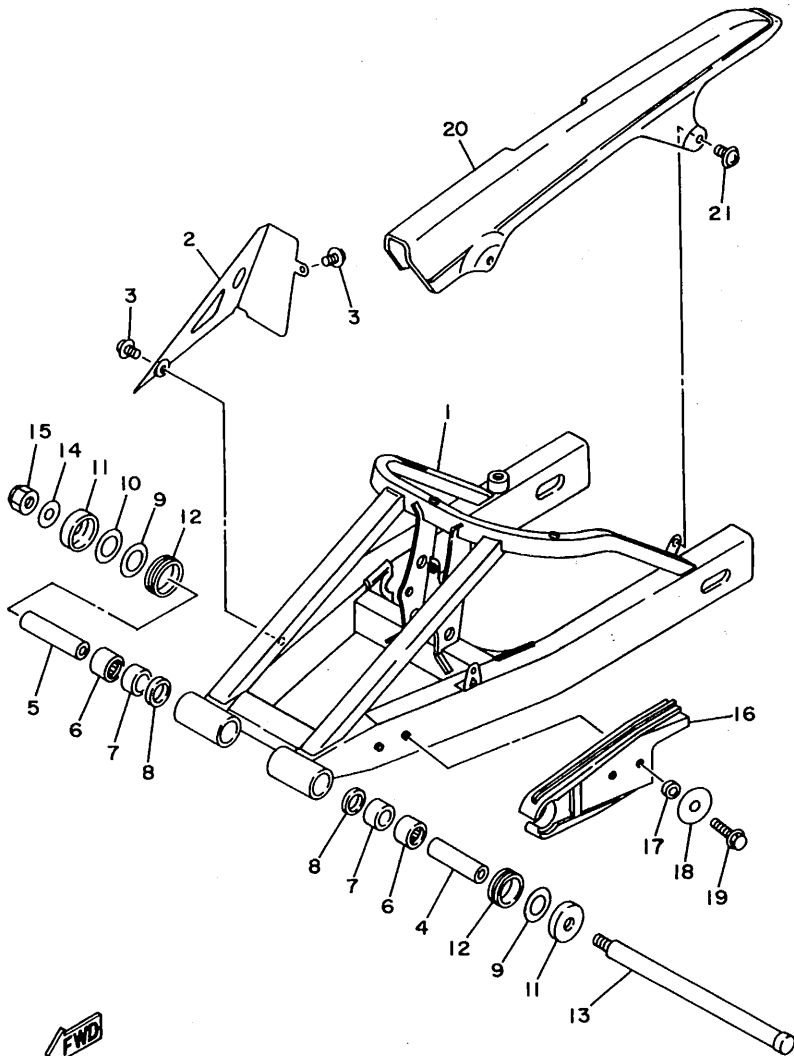


FIG. 20 REAR ARM

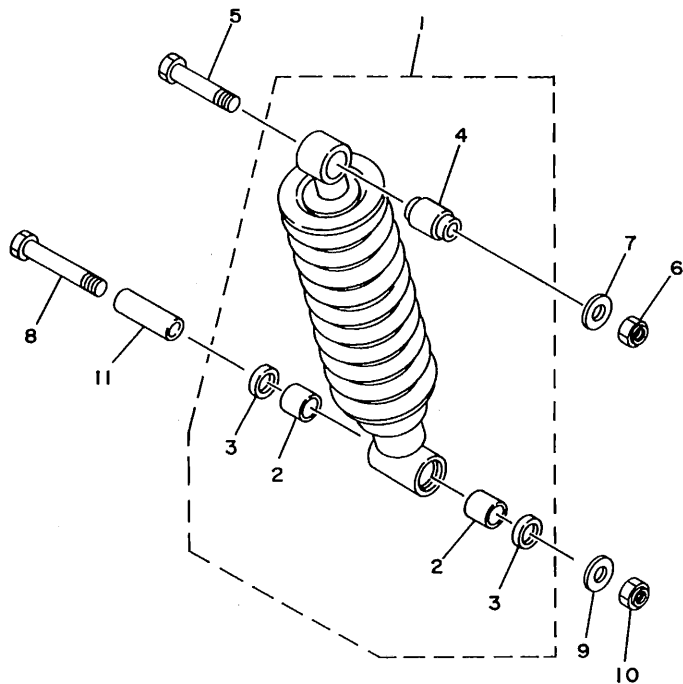
REF. NO.	PART NO.	DESCRIPTION	Q'TY	REMARKS
1	4FL-22110-00-35	REAR ARM COMP.	1	UR SILVER
	4HX-22110-00-35	REAR ARM COMP.	1	UR SILVER FOR CHE/FIN/AUT
2	4FL-22128-00	COVER, THRUST 1	1	
3	90159-06082	SCREW, WITH WASHER	2	
4	90387-1600X	COLLAR	1	
5	90387-1600Y	COLLAR	1	
6	93317-32231	BEARING, CYLINDRICAL	2	
7	90380-22111	BUSH, SOLID	2	
8	93106-22019	OIL SEAL (DC 22-28-8)	2	
9	90201-254H8	WASHER, PLATE	2	
10	90201-251F6	WASHER, PLATE (0.3T)	1	
11	30X-2219X-00	COVER	2	
12	93108-35004	OIL SEAL (35-41-8)	2	
13	4G0-22141-00	SHAFT, PIVOT	1	
14	90201-15238	WASHER, PLATE	1	
15	90185-14070	NUT, SELF-LOCKING	1	
16	4FL-22151-00	SEAL, GUARD	1	
17	90387-060U2	COLLAR	2	
18	90201-065G8	WASHER, PLATE	2	
19	95826-06020	BOLT, FLANGE	2	
20	2RH-22311-01	CASE, CHAIN	1	
21	90159-06084	SCREW, WITH WASHER	2	

FWD  
4FL1351-3200

C13

FIG. 21 REAR SUSPENSION

REF. NO.	PART NO.	DESCRIPTION	Q'TY	REMARKS
1	4FL-22210-00	SHOCK ABSORBER ASSY, REAR	1	
2	90384-18157	.BUSH, BIMETAL FORMED	2	
3	93109-18020	.OIL SEAL	2	
4	34L-22216-00	.BUSH, REAR SHOCK ABSORBER	1	
5	90101-12558	BOLT	1	
6	95601-12100	NUT, U	1	
7	90201-12535	WASHER, PLATE	1	
8	90101-12676	BOLT	1	
9	90201-12535	WASHER, PLATE	1	
10	95601-12100	NUT, U	1	
11	90387-124H0	COLLAR	1	

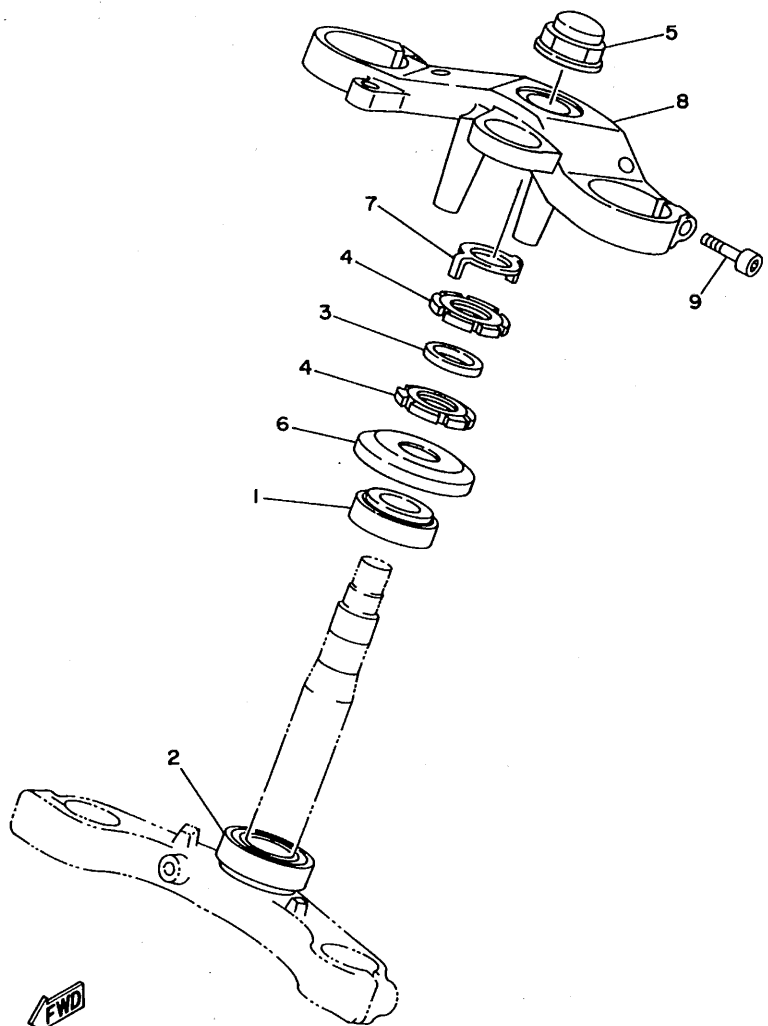


4FL1351-3210

**C14**

FIG. 22 STEERING

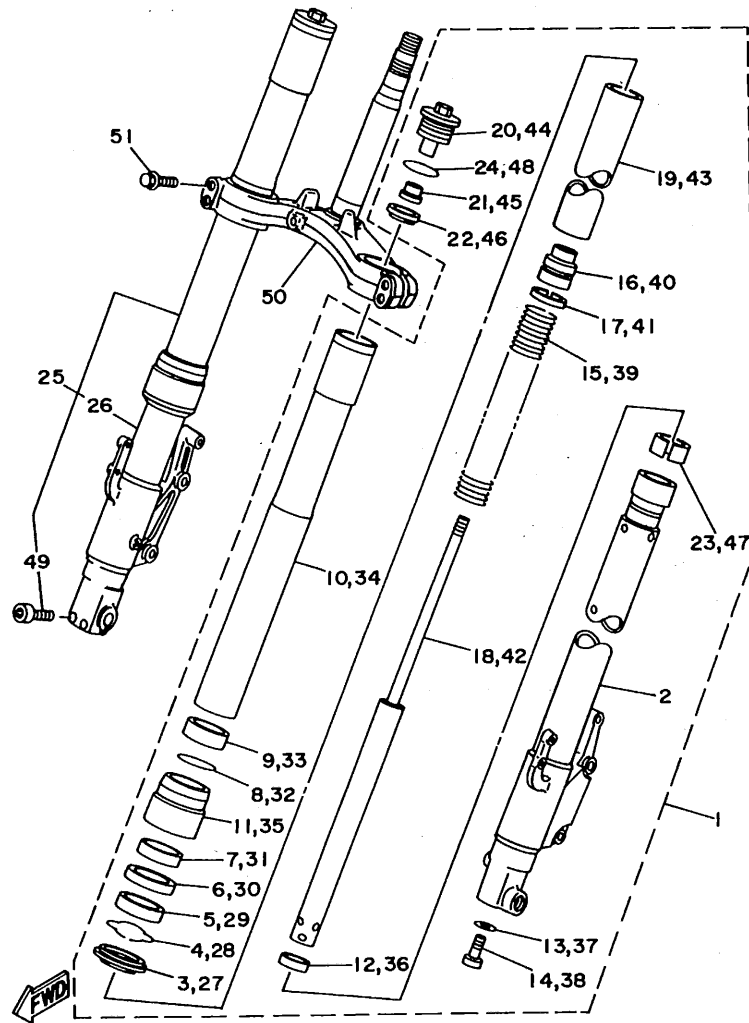
REF. NO.	PART NO.	DESCRIPTION	Q'TY	REMARKS
1	93332-00001	BEARING	1	
2	93332-00008	BEARING	1	
3	90202-26142	WASHER, PLATE	1	
4	90179-25615	NUT	2	
5	90179-22455	NUT	1	
6	3XV-23416-00	COVER, BALL RACE 2	1	
7	3YF-23418-00	WASHER, SPECIAL	1	
8	4FL-23435-00	CROWN, HANDLE	1	
9	91316-08030	BOLT	2	



3XV1010-1230

**C15**

FIG. 23 FRONT FORK

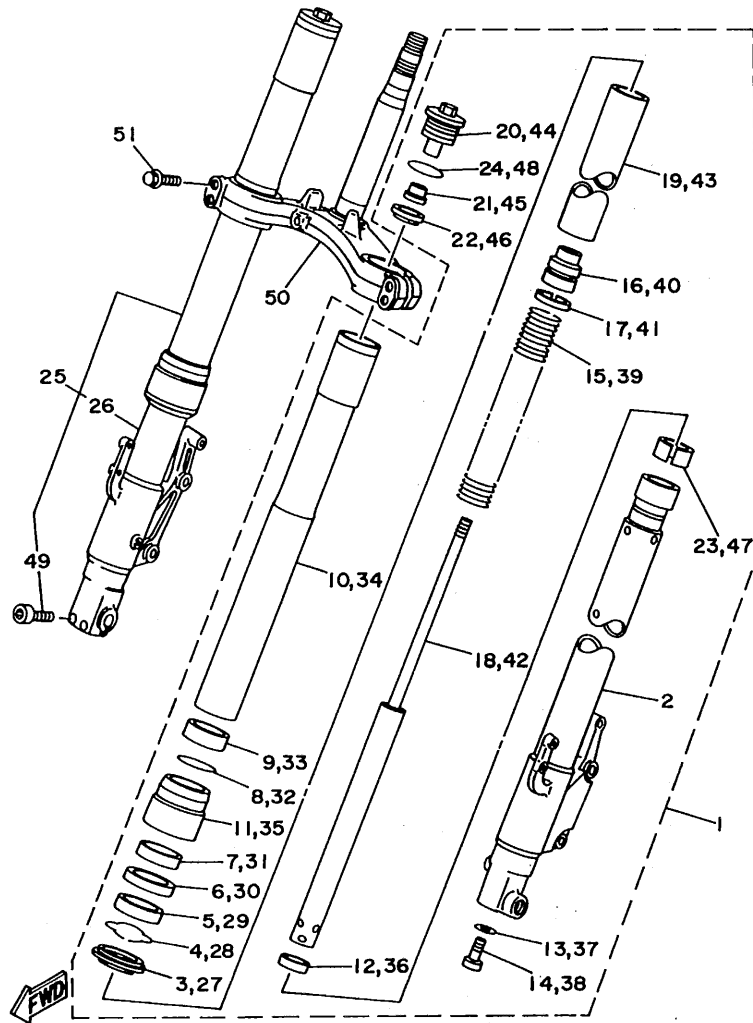


4FL1351-3230

REF. NO.	PART NO.	DESCRIPTION	Q'TY	REMARKS
1	4FL-23102-01	FRONT FORK ASSY (L.H)	1	
2	4FL-23110-00	.INNER TUBE COMP. 1	1	
3	1KT-23144-00	.SEAL, DUST	1	
4	1RX-23156-00	.CLIP, OIL SEAL	1	
5	3XV-23145-00	.OIL SEAL	1	
6	1RX-23146-00	.WASHER, OIL SEAL	1	
7	4FL-23153-00	.RING, SNAP	1	
8	4FL-23114-00	.GASKET	1	
9	4FL-23125-00	.METAL, SLIDE 1	1	
10	4FL-23126-01	.TUBE, OUTER (LEFT)	1	
11	4FL-23148-00	.COVER, DUST SEAL	1	
12	3MA-23143-10	.SEAT, SPRING LOWER	1	
13	3MA-23129-10	.GASKET, DRAIN PLUG	1	
14	3MA-23181-10	.BOLT, HEXAGON SOCKET HEAD	1	
15	4FL-23141-00	.SPRING, FRONT FORK	1	
16	4FL-23142-00	.SEAT, SPRING UPPER	1	
17	3MA-23157-10	.RING, PISTON	1	
18	4FL-2317J-00	.DAMPER 1	1	
19	4FL-23118-00	.SPACER	1	
20	4FL-23111-00	.BOLT, CAP	1	
21	4FL-22251-00	.NUT 1	1	
22	4FL-23115-00	.GUIDE, COVER UPPER	1	
23	3XV-23135-20	.METAL, SLIDE 2	1	
24	4FL-23147-00	.O-RING	1	
25	4FL-23103-01	FRONT FORK ASSY (R.H)	1	
26	4FL-23120-00	.INNER TUBE COMP. 2	1	
27	1KT-23144-00	.SEAL, DUST	1	
28	1RX-23156-00	.CLIP, OIL SEAL	1	

D2

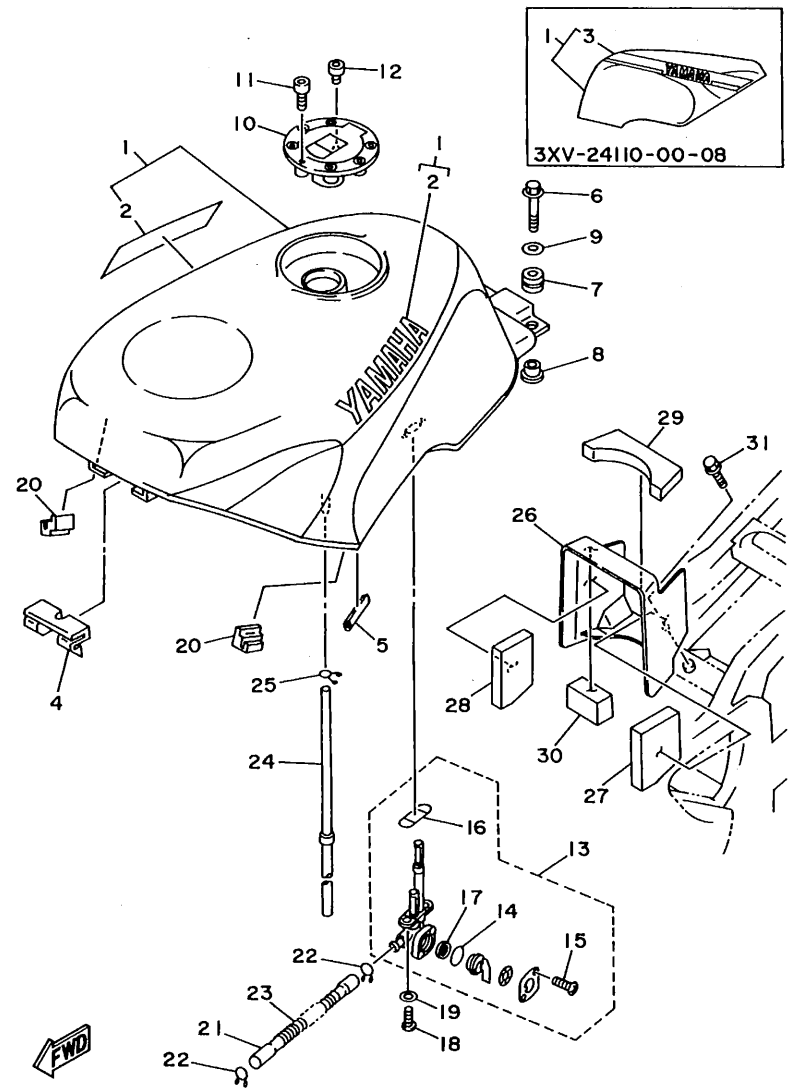
FIG. 23 FRONT FORK



REF. NO.	PART NO.	DESCRIPTION	Q'TY	REMARKS
29	3XV-23145-00	.OIL SEAL	1	
30	1RX-23146-00	.WASHER, OIL SEAL	1	
31	4FL-23153-00	.RING, SNAP	1	
32	4FL-23114-00	.GASKET	1	
33	4FL-23125-00	.METAL, SLIDE 1	1	
34	4FL-23126-01	.TUBE, OUTER (LEFT)	1	
35	4FL-23148-00	.COVER, DUST SEAL	1	
36	3MA-23143-10	.SEAT, SPRING LOWER	1	
37	3MA-23129-10	.GASKET, DRAIN PLUG	1	
38	3MA-23181-10	.BOLT, HEXAGON SOCKET HEAD	1	
39	4FL-23141-00	.SPRING, FRONT FORK	1	
40	4FL-23142-00	.SEAT, SPRING UPPER	1	
41	3MA-23157-10	.RING, PISTON	1	
42	4FL-2317J-00	.DAMPER 1	1	
43	4FL-23118-00	.SPACER	1	
44	4FL-23111-00	.BOLT, CAP	1	
45	4FL-22251-00	.NUT 1	1	
46	4FL-23115-00	.GUIDE, COVER UPPER	1	
47	3XV-23135-20	.METAL, SLIDE 2	1	
48	4FL-23147-00	.O-RING	1	
49	3XV-23181-00	.BOLT, HEXAGON SOCKET HEAD	2	
50	4FL-23340-00	UNDER BRACKET COMP.	1	
51	4FL-23181-00	BOLT, HEXAGON SOCKET HEAD	4	

4FL1351-3230

D3



4FL1351-3240

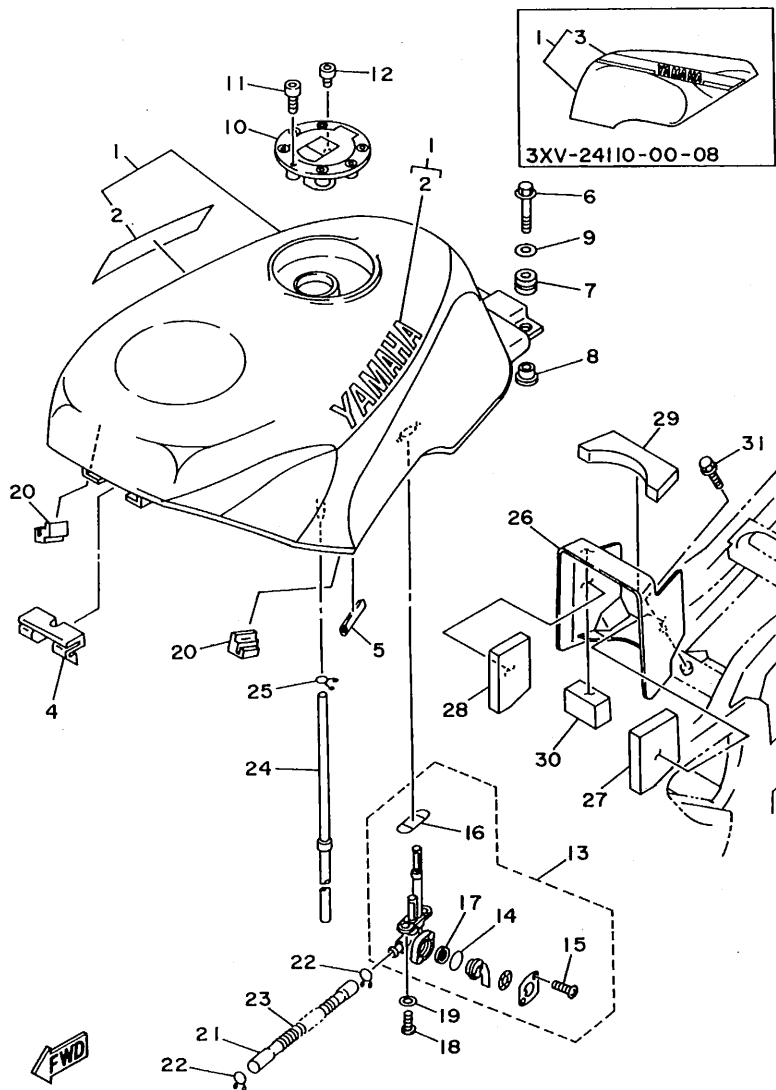
FIG. 24 FUEL TANK

REF. NO.	PART NO.	DESCRIPTION	Q'TY	REMARKS
1	3XV-24110-00-07	FUEL TANK COMP.	1	UR PURPLISH WHITE SOLID 1 /VIVID MAGENTA COCKTAIL 1
	3XV-24110-00-08	FUEL TANK COMP.	1	UR YAMAHA BLACK
	4HX-24110-00-01	FUEL TANK COMP.(FOR CHE/FIN/AUT)	1	UR YAMAHA BLACK
	4HX-24110-00-02	FUEL TANK COMP.(FOR CHE/FIN/AUT)	1	UR PURPLISH WHITE SOLID 1 /VIVID MAGENTA COCKTAIL 1
2	99226-00160	.EMBLEM, YAMAHA	2	FOR PWS1
3	4FL-24244-00	.GRAPHIC, FUEL TANK 1	1	FOR YB
4	3XV-24184-00	DAMPER, LOCATING 4	1	
5	3VD-24188-00	MOLD, FUEL TANK	2	
6	95816-06025	BOLT, FLANGE	2	
7	90480-14539	GROMMET	2	
8	90387-07391	COLLAR	2	
9	90201-06697	WASHER, PLATE	2	
10	3XM-24670-02	TANK CAP SET	1	
11	90110-05112	BOLT, HEXAGON SOCKET HEAD	3	
12	91311-05010	BOLT	1	
13	4FL-24500-00	FUEL COCK ASSY 1	1	
14	3AJ-24534-00	.SEAL, COCK	1	
15	98503-03008	.SCREW, PAN HEAD	2	
16	4X8-24512-00	.O-RING	1	
17	3AJ-24523-00	.VALVE	1	
18	90149-06011	SCREW	2	
19	90202-05187	WASHER, PLATE	2	
20	3XV-24182-00	DAMPER, LOCATING 2	2	
21	4FL-24311-00	PIPE, FUEL 1	1	
22	90467-10008	CLIP	2	
23	90501-08668	SPRING, COMPRESSION	1	
24	90445-107H3	HOSE	1	
25	90467-09006	CLIP	1	

**D4**

FIG. 24 FUEL TANK

REF. NO.	PART NO.	DESCRIPTION	Q'TY	REMARKS
26	4FL-24145-00	DAMPER, SIDE COVER	1	
27	4FL-2411R-00	PLATE 1	1	
28	4FL-2411T-00	PLATE 2	1	
29	4FL-2411U-00	PLATE 3	1	
30	4FL-2411V-00	PLATE 4	1	
31	90119-06118	BOLT, WITH WASHER	1	



4FL1351-3240

D5



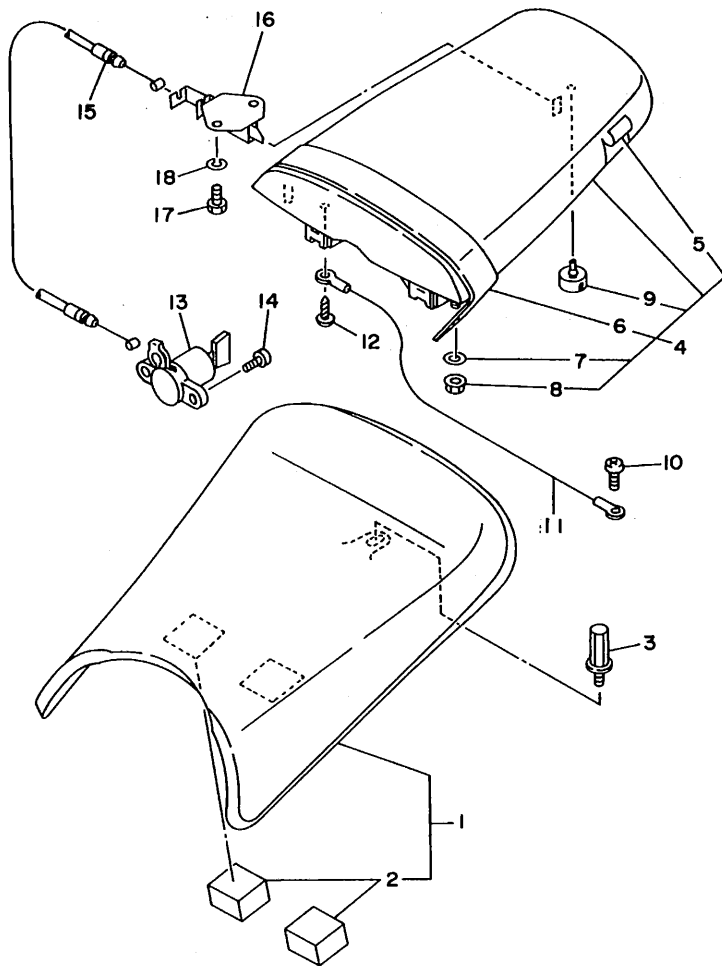


FIG. 25 SEAT

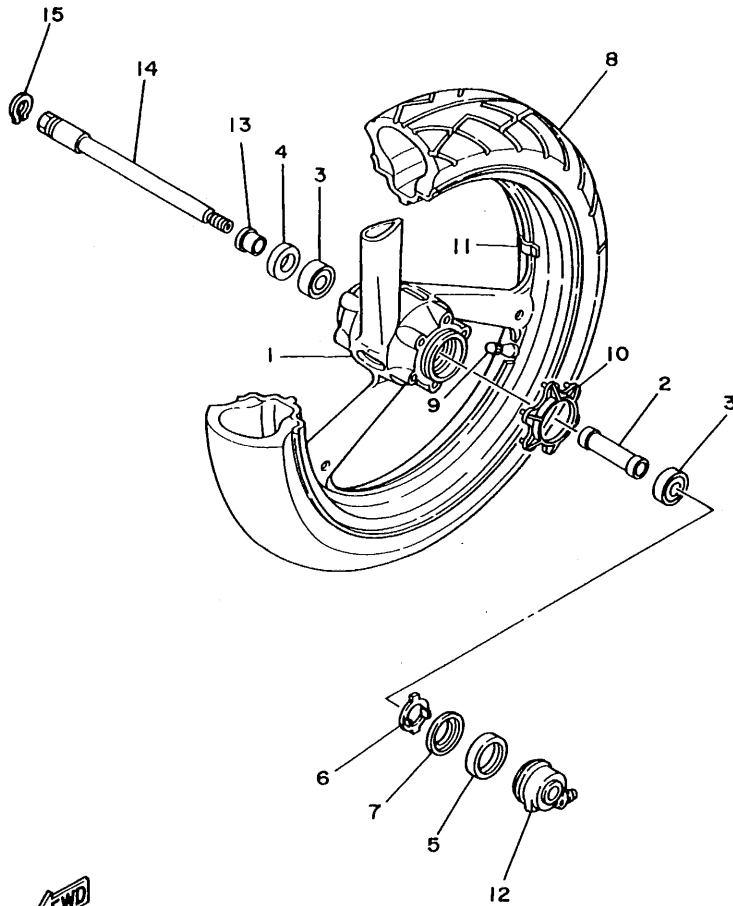
REF. NO.	PART NO.	DESCRIPTION	Q'TY	REMARKS
1	4FL-24710-00	SINGLE SEAT ASSY	1	
2	3XV-24185-01	.DAMPER, LOCATING 5	2	
3	90109-06M22	BOLT	1	
4	3XV-24750-01	TANDEM SEAT ASSY	1	
5	3XV-24751-00	.COVER, TANDEM SEAT	1	
6	3XV-24734-00	.BAND, SEAT	1	
7	90201-05725	.WASHER, PLATE	2	
8	95706-05500	.NUT, FLANGE	2	
9	35T-24724-00	.DAMPER, SEAT	1	
10	98580-05010	SCREW, PAN HEAD	1	
11	3XV-2473J-00	WIRE	1	
12	97706-50012	SCREW, TAPPING	1	
13	3CK-W2470-00	SEAT LOCK ASSY	1	
14	98516-06012	SCREW, PAN HEAD	2	
15	3XV-2478E-00	WIRE, SEAT HOOK	1	
16	50W-W247E-00	SEAT LOCK ASSY	1	
17	97013-06012	BOLT	2	
18	92995-06100	WASHER	2	



3XV1010-1260

D6

FIG. 26 FRONT WHEEL

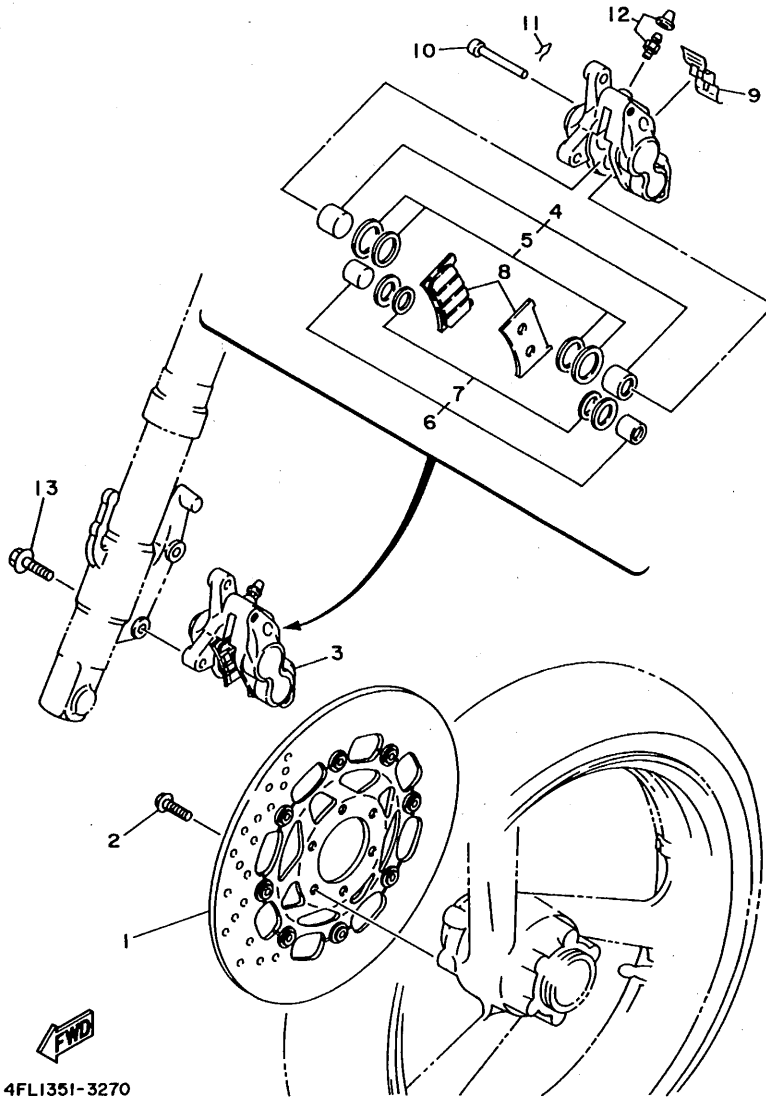


REF. NO.	PART NO.	DESCRIPTION	Q'TY	REMARKS
1	3XV-25168-00-P1	CAST WHEEL, FRONT	1	UR DEEP REDDISH PURPLE SOLID 1
	3XV-25168-00-UA	CAST WHEEL, FRONT	1	UR CAST WHEEL WHITE
2	90560-17358	SPACER	1	
3	93306-20314	BEARING (B6203)	2	
4	93102-23252	OIL SEAL	1	
5	93105-45017	OIL SEAL	1	
6	341-25149-00	CLUTCH, METER	1	
7	341-25846-00	RETAINER, CLUTCH	1	
8	94111-1701C	TIRE (110/70-17 54S D103F)	1	DUNLOP
9	93900-00030	VALVE, RIM	1	
10	1U4-25847-00	COVER, HOUSING	1	
11	29L-25398-00	BALANCER, WHEEL (10G)	1	UN
	29L-25398-10	BALANCER, WHEEL (20G)	1	UN
	29L-25398-20	BALANCER, WHEEL (30G)	1	UN
12	3MA-25190-00	GEAR UNIT ASSY	1	
13	90387-177V5	COLLAR	1	
14	3XV-25181-00	AXLE, WHEEL	1	
15	99009-22400	CIRCLIP	1	

  
4FL1351-3260

**D7**

FIG. 27 FRONT BRAKE CALIPER



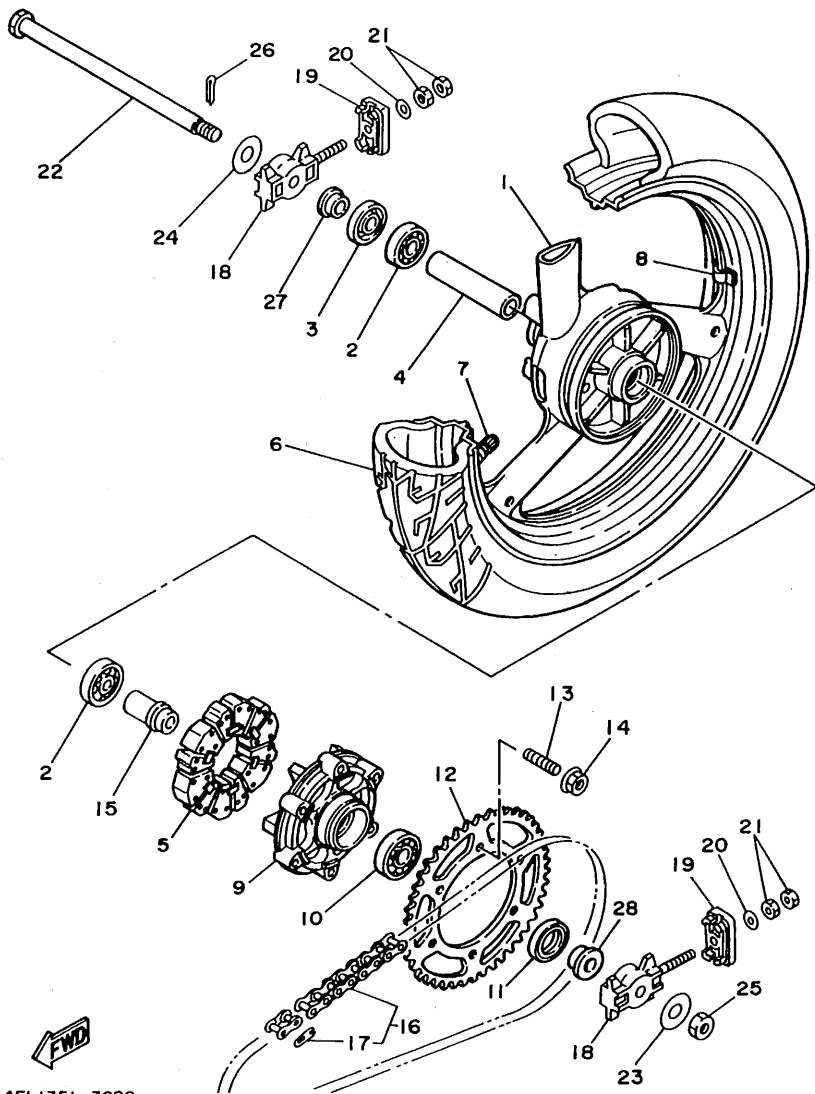
4FL1351-3270

REF. NO.	PART NO.	DESCRIPTION	Q'TY	REMARKS
1	3XC-2581T-00	DISC BRAKE ASSY	1	
2	90109-08718	BOLT	6	
3	4FL-2580U-00	CALIPER ASSY (RIGHT)	1	
4	3GM-W0057-00	.PISTON ASSY, CALIPER	1	
5	3GM-W0047-00	..CALIPER SEAL KIT	1	
6	3MA-W0057-10	.PISTON ASSY, CALIPER	1	
7	3MA-W0047-10	..CALIPER SEAL KIT	1	
8	3MA-W0045-00	.BRAKE PAD KIT	1	
9	4FL-25919-00	.SUPPORT, PAD	1	
10	3MA-25924-00	.PIN, PAD	1	
11	3MA-25925-00	.CLIP	1	
12	1J3-W0048-00	.BREED SCREW KIT	1	
13	90105-10363	BOLT, WASHER BASED	2	

**D8**

FIG. 28 REAR WHEEL

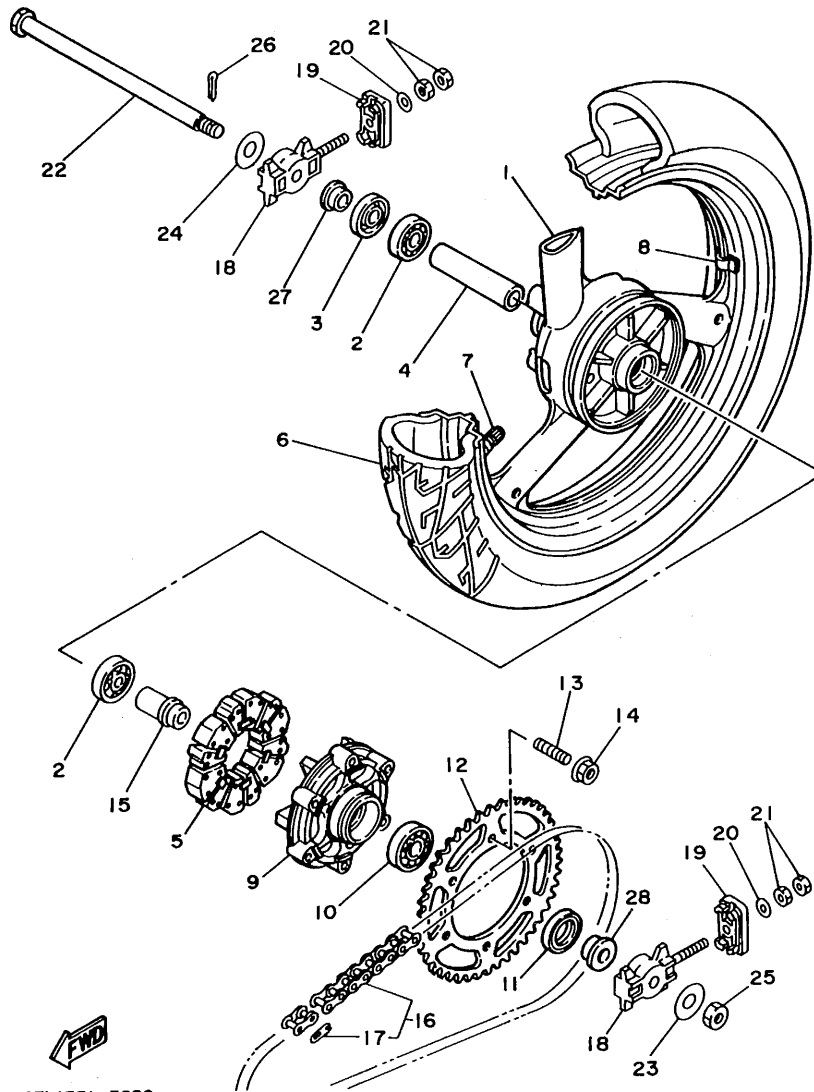
REF. NO.	PART NO.	DESCRIPTION	Q'TY	REMARKS
1	2XT-25338-01-PO	CAST WHEEL, REAR	1	UR DEEP REDDISH PURPLE SOLID 1
	2XT-25338-01-UA	CAST WHEEL, REAR	1	UR CAST WHEEL WHITE
2	93306-20226	BEARING	2	UR KOYO
	93306-20222	BEARING	2	UR NSK
3	93102-22216	OIL SEAL	1	
4	90560-15277	SPACER	1	
5	1KT-25364-00	DAMPER	6	
6	94114-1701D	TIRE (140/70-17 66S D103A)	1	DUNLOP
7	93900-00030	VALVE, RIM	1	
8	29L-25398-00	BALANCER, WHEEL (10G)	1	UN
	29L-25398-10	BALANCER, WHEEL (20G)	1	UN
	29L-25398-20	BALANCER, WHEEL (30G)	1	UN
9	4FL-25366-00	CLUTCH, HUB	1	
10	93306-20437	BEARING	1	
11	93102-28022	OIL SEAL	1	
12	4FL-25446-00	SPROCKET, DRIVEN (46T)	1	
13	90116-08552	BOLT, STUD	6	
14	95616-08200	NUT, SELF-LOCKING	6	
15	90387-1501G	COLLAR	1	
16	94581-33140	CHAIN (DID428V2-140L)	1	
17	94681-33031	JOINT, CHAIN	1	
18	2KR-25388-00	PULLER, CHAIN 1	2	
19	1UF-22174-00	END 1	2	
20	92901-08600	WASHER, PLATE	2	
21	95333-08600	NUT	4	
22	1RY-25381-00	AXLE, WHEEL	1	
23	90201-145M7	WASHER, PLATE	1	
24	90201-152L7	WASHER, PLATE	1	



4FL1351-3280

D9

FIG. 28 REAR WHEEL



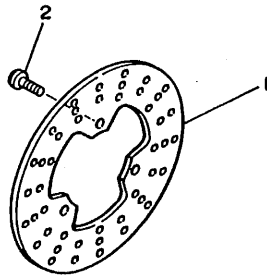
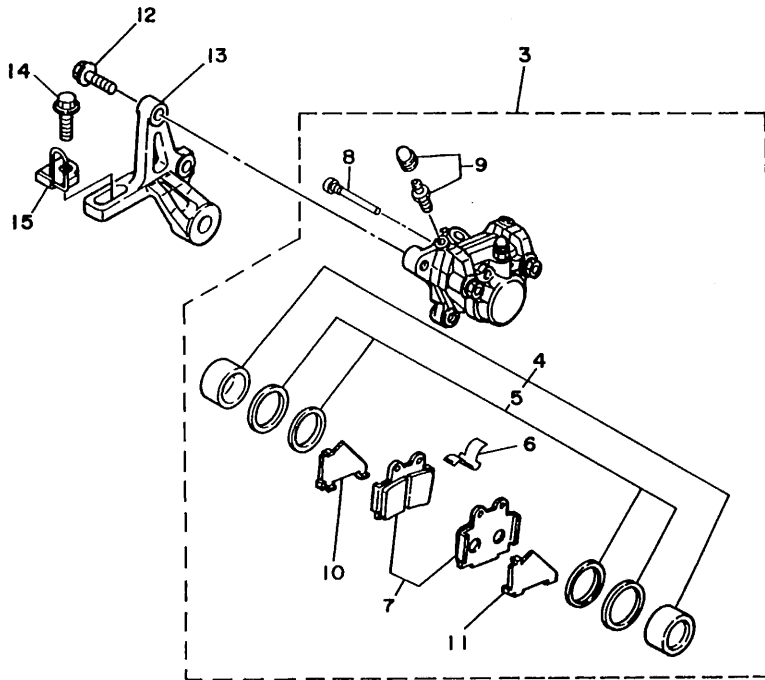
4FL1351-3280

REF. NO.	PART NO.	DESCRIPTION	Q'TY	REMARKS
25	90171-14020	NUT, CASTLE	1	
26	91401-30030	PIN, COTTER	1	
27	90387-153N7	COLLAR	1	
28	90387-153N8	COLLAR	1	

D10

FIG. 29 REAR BRAKE CALIPER

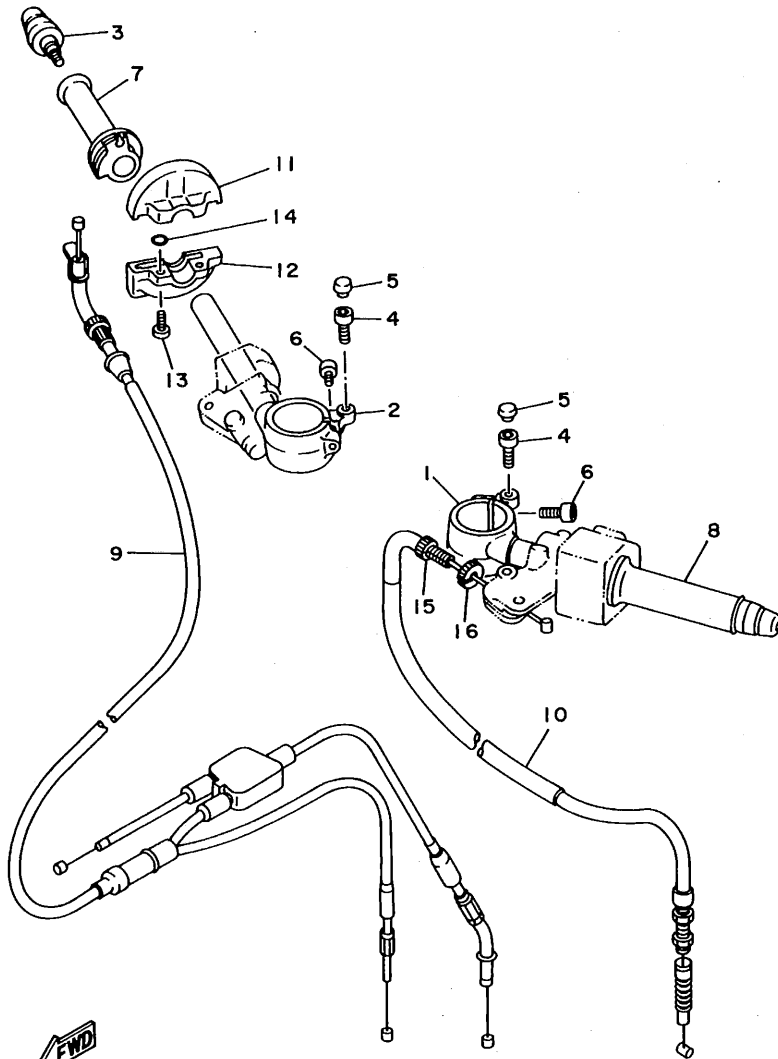
REF. NO.	PART NO.	DESCRIPTION	Q'TY	REMARKS
1	1WG-25831-50	DISC, BRAKE	1	
2	90109-08718	BOLT	3	
3	4FL-2580W-00	CALIPER ASSY, REAR 2	1	
4	51L-W0057-00	.PISTON ASSY, CALIPER	1	
5	51L-W0047-11	..CALIPER SEAL KIT	1	
6	3LN-25919-10	.SUPPORT, PAD	1	
7	1KT-W0046-52	.BRAKE PAD KIT 2	1	
8	4FL-25924-00	.PIN, PAD	2	
9	51L-W0048-00	.BREED SCREW KIT	2	
10	47X-25827-00	.SHIM, CALIPER	1	
11	47X-25827-10	.SHIM, CALIPER	1	
12	90105-10634	BOLT, WASHER BASED	2	
13	1KT-25819-00	BRACKET, CALIPER	1	
14	95811-10030	BOLT, FLANGE	1	
15	3XC-25876-00	HOLDER, BRAKE HOSE 2	1	



4FL1351-3290

D11

FIG. 30 STEERING HANDLE. CABLE



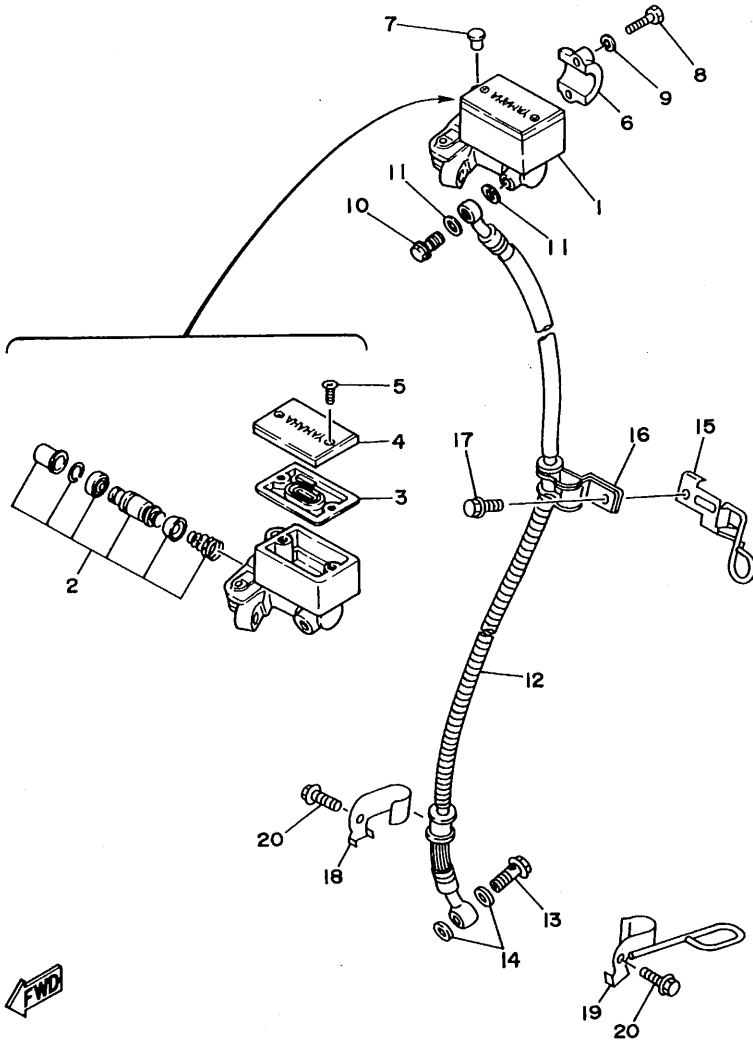
4FL1351-3300

REF. NO.	PART NO.	DESCRIPTION	Q'TY	REMARKS
1	4FL-26121-00	HANDLEBAR (LEFT)	1	
2	4FL-26122-00	HANDLEBAR (RIGHT)	1	
3	4FL-26246-00	END, GRIP	2	
4	90110-06138	BOLT, HEXAGON SOCKET HEAD	2	
5	2H9-23469-00	CAP, BOLT	2	
6	91316-08030	BOLT	2	
7	4FL-26240-00	GRIP ASSY	1	
8	51Y-26241-00	GRIP (LEFT)	1	
9	4FL-26302-00	THROTTLE CABLE ASSY	1	
10	4FL-26335-00	CABLE, CLUTCH	1	
11	4Y2-26281-01	CAP, GRIP UPPER	1	
12	3TY-26282-01	CAP, GRIP LOWER	1	
13	91316-05018	BOLT	2	
14	93210-04092	O-RING	1	
15	90123-08046	BOLT	1	
16	90179-08148	NUT	1	

D12

FIG. 31 FRONT MASTER CYLINDER

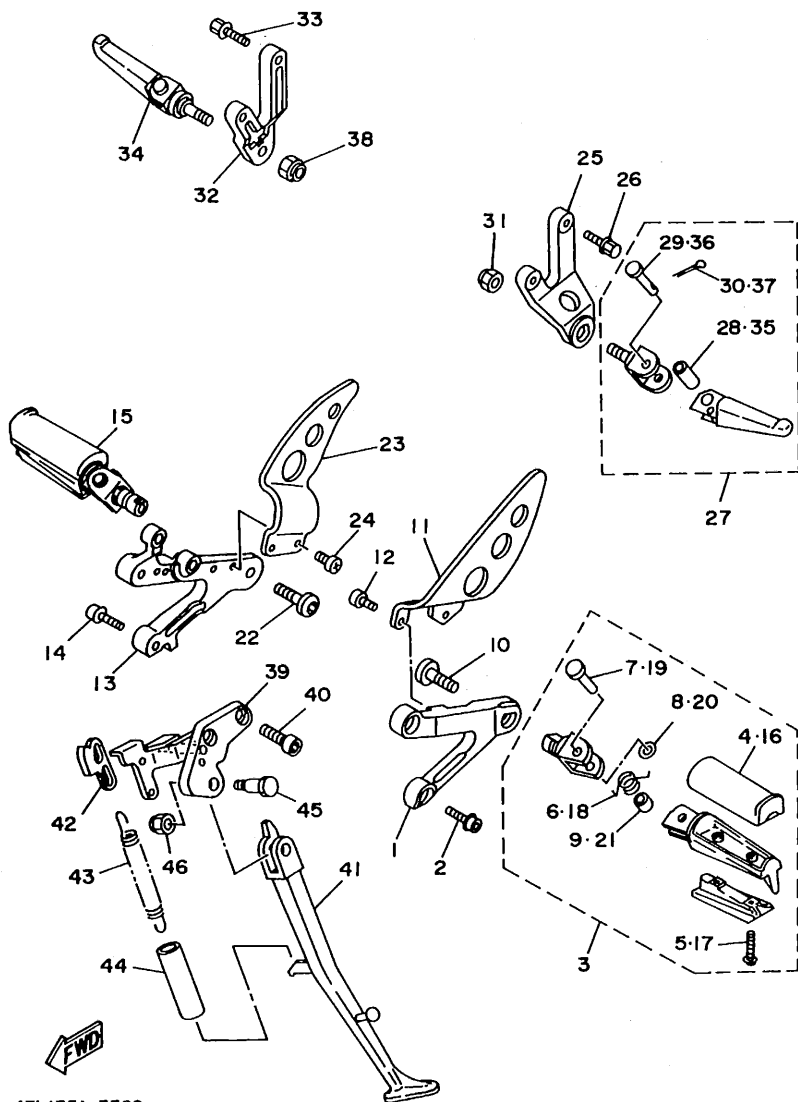
REF. NO.	PART NO.	DESCRIPTION	Q'TY	REMARKS
1	2RJ-25870-00	MASTER CYLINDER SUB ASSY	1	
2	23L-W0041-00	.CYLINDER KIT, MASTER	1	
3	4L0-25854-00	.DIAPHRAGM, RESERVOIR	1	
4	4H7-25852-00	.CAP, RESERVOIR	1	
5	98706-04012	.SCREW, FLAT HEAD	2	
6	4L0-25867-00	BRACKET, MASTER CYLINDER	1	
7	90338-09012	PLUG	2	
8	97016-06025	BOLT	2	
9	92906-06100	WASHER, SPRING	2	
10	90401-10096	BOLT, UNION	1	
11	90201-10118	WASHER, PLATE	2	
12	4FL-25873-00	HOSE, BRAKE 2	1	
13	90401-10096	BOLT, UNION	1	
14	90201-10118	WASHER, PLATE	2	
15	3XV-2612E-00	BRACKET	1	
16	3XV-26393-00	HOLDER	1	
17	91026-06012	BOLT	1	
18	3XV-25876-20	HOLDER, BRAKE HOSE 2	1	
19	3XV-25876-10	HOLDER, BRAKE HOSE 2	1	
20	91026-06012	BOLT	2	



4FL1351-3310

D13



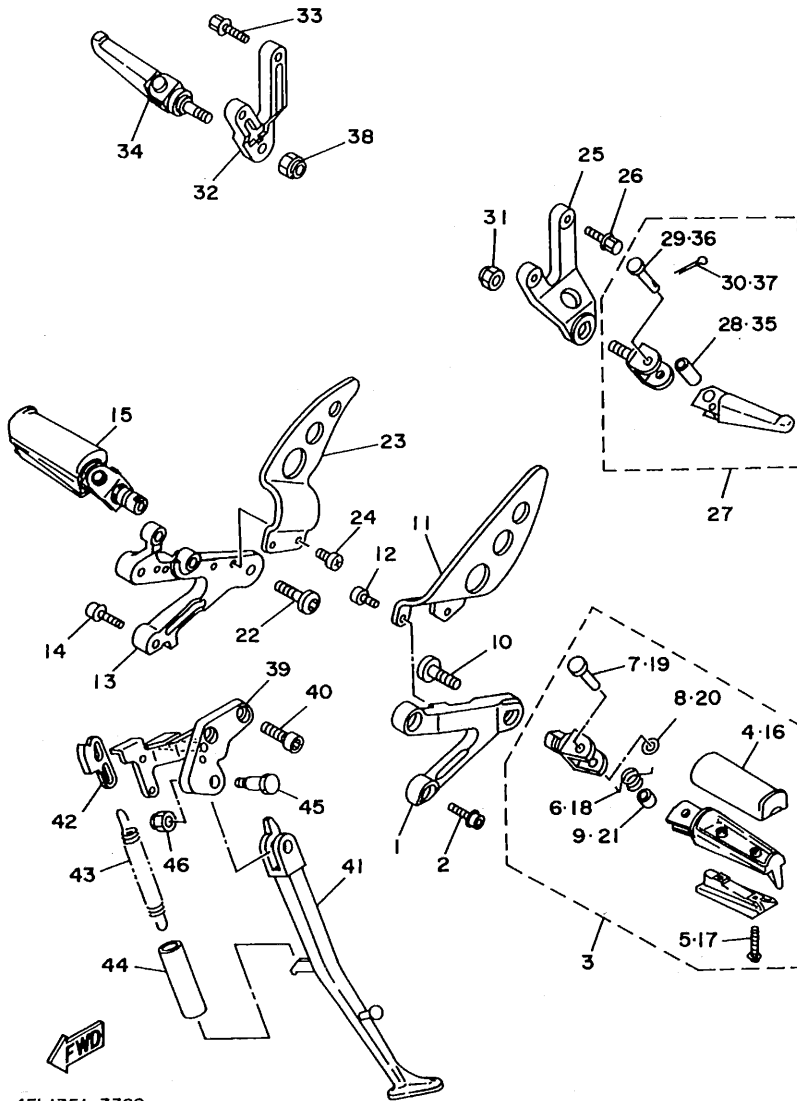


4FL1351-3320

FIG. 32 STAND. FOOTREST

REF. NO.	PART NO.	DESCRIPTION	Q'TY	REMARKS
1	3XV-27442-00	BRACKET 2	1	
2	90109-082F5	BOLT	2	
3	4FL-27410-00	FRONT FOOTREST ASSY (LEFT)	1	
4	4BP-27413-00	.COVER, FOOTREST	1	
5	90159-05187	.SCREW, WITH WASHER	2	
6	90508-20572	.SPRING, TORSION	1	
7	90243-08029	.PIN	1	
8	90201-06042	.WASHER, PLATE	1	
9	90387-084N8	.COLLAR	1	
10	90109-103A9	BOLT	1	
11	3XV-27445-00	PLATE 1	1	
12	90149-06233	SCREW	2	
13	4FL-27443-00	BRACKET 3	1	
14	90109-082F5	BOLT	2	
15	4FL-27420-00	FRONT FOOTREST ASSY (RIGHT)	1	
16	4BP-27413-00	.COVER, FOOTREST	1	
17	90159-05187	.SCREW, WITH WASHER	2	
18	90508-20572	.SPRING, TORSION	1	
19	90243-08029	.PIN	1	
20	90201-06042	.WASHER, PLATE	1	
21	90387-084N8	.COLLAR	1	
22	90109-103A9	BOLT	1	
23	3XV-27446-00	PLATE 2	1	
24	90149-06233	SCREW	2	
25	3XV-2741L-00	BRACKET 4	1	
26	95821-08025	BOLT, FLANGE	2	
27	3XV-27430-00	REAR FOOTREST ASSY 1	1	
28	90387-064H8	.COLLAR	1	

D14

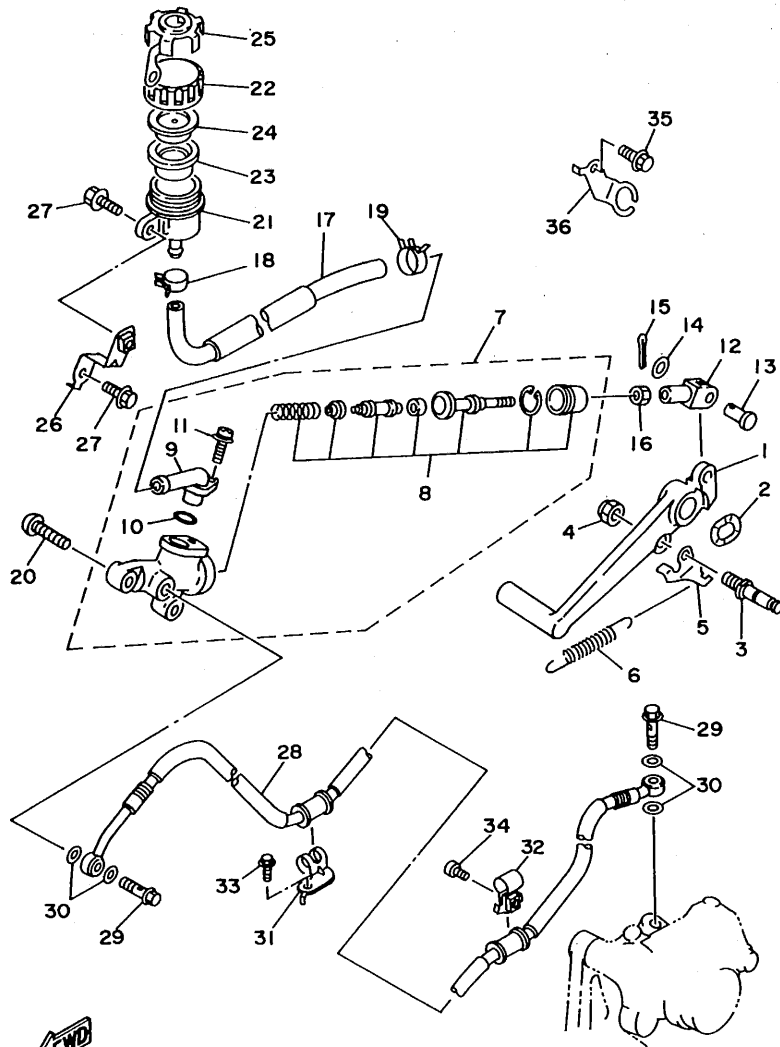


4FL1351-3320

FIG. 32 STAND. FOOTREST

REF. NO.	PART NO.	DESCRIPTION	Q'TY	REMARKS
29	91701-06035	.PIN, CLEVIS	1	
30	91490-20020	.PIN, COTTER	1	
31	95601-10200	NUT, SELF-LOCKING	1	
32	3XV-2742L-00	BRACKET 5	1	
33	95821-08025	BOLT, FLANGE	2	
34	3XV-27440-00	REAR FOOTREST ASSY 2	1	
35	90387-064H8	.COLLAR	1	
36	91701-06035	.PIN, CLEVIS	1	
37	91490-20020	.PIN, COTTER	1	
38	95601-10200	NUT, SELF-LOCKING	1	
39	4FL-27321-00	BRACKET, SIDE STAND	1	
40	90110-10126	BOLT, HEXAGON SOCKET HEAD	2	
41	3XV-27311-00	STAND, SIDE	1	
42	3XV-27315-00	LINK, SIDE STAND	1	
43	90506-26467	SPRING, TENSION	1	
44	90445-21763	HOSE	1	
45	90109-100E8	BOLT	1	
46	90185-10037	NUT, SELF-LOCKING	1	

FIG. 33 REAR MASTER CYLINDER



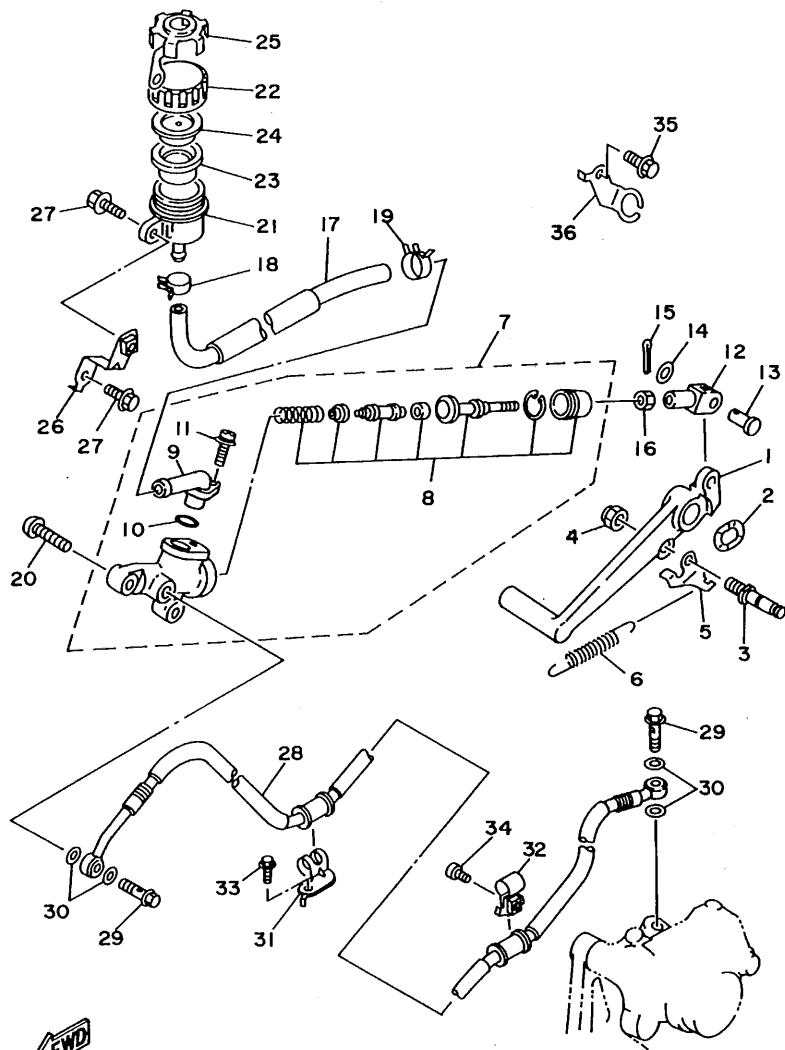
REF. NO.	PART NO.	DESCRIPTION	Q'TY	REMARKS
1	3XV-27211-01	PEDAL, BRAKE	1	
2	90206-17084	WASHER, WAVE	1	
3	4FL-27813-00	PIN, PEDAL CRANK	1	
4	95611-08100	NUT, U	1	
5	4FL-27137-00	HOOK, SPRING	1	
6	90506-20389	SPRING, TENSION	1	
7	3TU-2583V-01	RR. MASTER CYLINDER ASSY	1	
8	3TU-W0042-51	.CYLINDER KIT, MASTER	1	
9	3LN-2582A-00	.JOINT	1	
10	3LN-2585F-00	.O-RING	1	
11	3LN-2585H-00	.SCREW, SET	1	
12	47X-27222-00	JOINT	1	
13	90240-08013	PIN, CLEVIS	1	
14	90201-08083	WASHER, PLATE	1	
15	91490-16020	PIN, COTTER	1	
16	95303-08700	NUT	1	
17	4FL-25895-00	HOSE, RESERVOIR	1	
18	90467-13083	CLIP	1	
19	90467-14057	CLIP	1	
20	92016-08030	SCREW	2	
21	2VN-25894-00	TANK, RESERVOIR	1	
22	3XP-25852-50	CAP, RESERVOIR	1	
23	2VN-25854-00	DIAPHRAGM, RESERVOIR	1	
24	2VN-25855-00	BUSH, DIAPHRAGM	1	
25	3ET-25888-00	COVER, RESERVOIR TANK	1	
26	3XV-2582E-00	HOLDER, RESERVE TANK	1	
27	95816-06016	BOLT, FLANGE	2	
28	4FL-2581J-00	HOSE, BRAKE 4	1	

4FL1351-3330



**E2**

FIG. 33 REAR MASTER CYLINDER

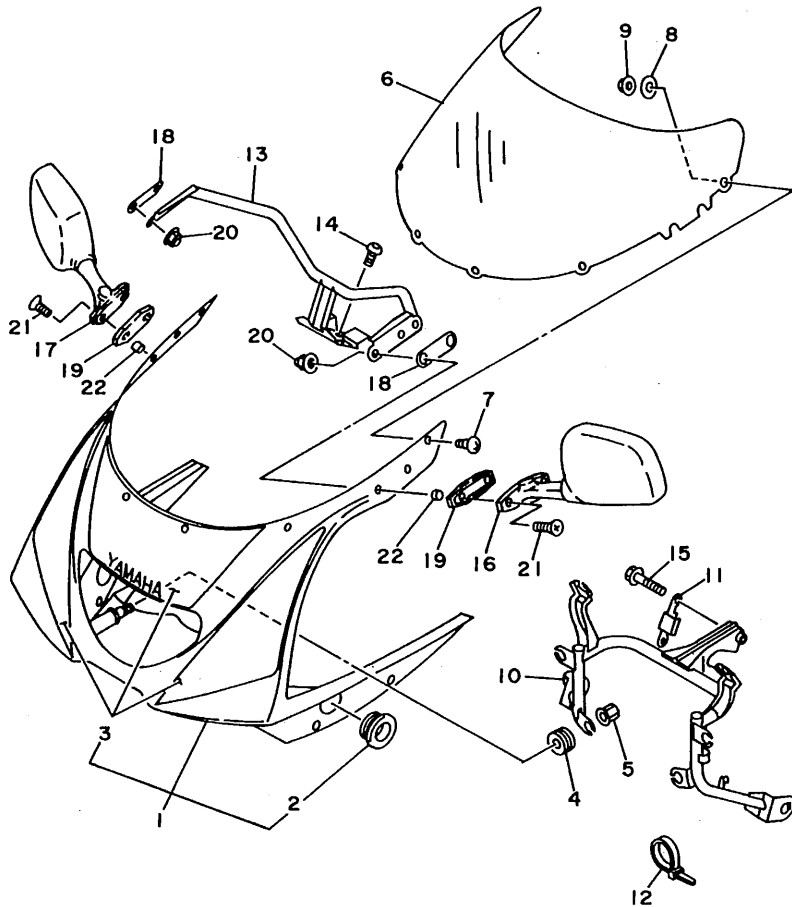


REF. NO.	PART NO.	DESCRIPTION	Q'TY	REMARKS
29	90401-10096	BOLT, UNION	2	
30	90201-10118	WASHER, PLATE	4	
31	3XV-25875-00	HOLDER, BRAKE HOSE 1	1	
32	3XC-25887-00	HOLDER, BRAKE HOSE	1	
33	95026-06016	BOLT, FLANGE	1	
34	91311-06016	BOLT	1	
35	91006-06008	BOLT, FLANGE	1	
36	3XV-21446-00	STAY, STOP SWITCH	1	

4FL1351-3330

E3

FIG. 34 COWLING 1

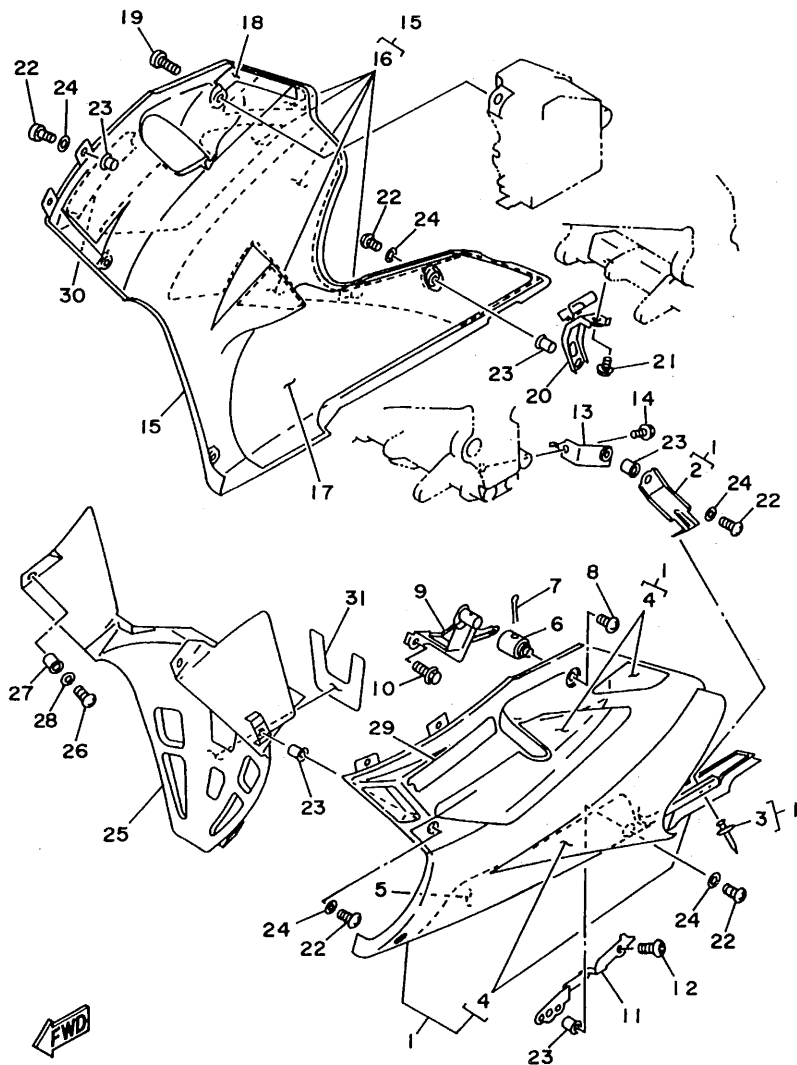


REF. NO.	PART NO.	DESCRIPTION	Q'TY	REMARKS
1	4FL-Y2835-00	COWLING ASSY	1	UR PURPLISH WHITE SOLID 1
	4FL-Y2835-10	COWLING ASSY	1	UR YAMAHA BLACK
2	3HE-83345-50	.PLUG, BLIND	2	
3	4FL-28390-01	.GRAPHIC SET, COWLING	1	UR FOR PWS1
	4FL-28390-11	.GRAPHIC SET, COWLING	1	UR FOR YB
4	90480-14229	GROMMET	4	
5	90179-06499	NUT	4	
6	3XV-2837U-01	SCREEN	1	
7	90149-05273	SCREW	6	
8	3HX-28215-00	WASHER, SPECIAL	6	
9	95706-05500	NUT, FLANGE	6	
10	4FL-28356-00	STAY 1	1	
11	3XV-28336-00	PLATE	1	
12	1UA-82591-00	BAND	1	
13	3XV-2831W-00	STAY, MIRROR 1	1	
14	92016-06012	SCREW	3	
15	97016-08030	BOLT	2	
16	4FM-26280-10	REAR VIEW MIRROR ASSY (LEFT)	1	BLACK
17	4FM-26290-10	REAR VIEW MIRROR ASSY (RIGHT)	1	BLACK
18	3CV-26298-00	PLATE, MIRROR FITTING 1	2	
19	4FM-26299-00	PLATE, MIRROR FITTING 2	2	
20	90176-06055	NUT, CROWN	4	
21	98706-06025	SCREW, FLAT HEAD	4	
22	90387-064T3	COLLAR	4	

FWD  
4FL135I-3340

E4

FIG. 35 COWLING 2

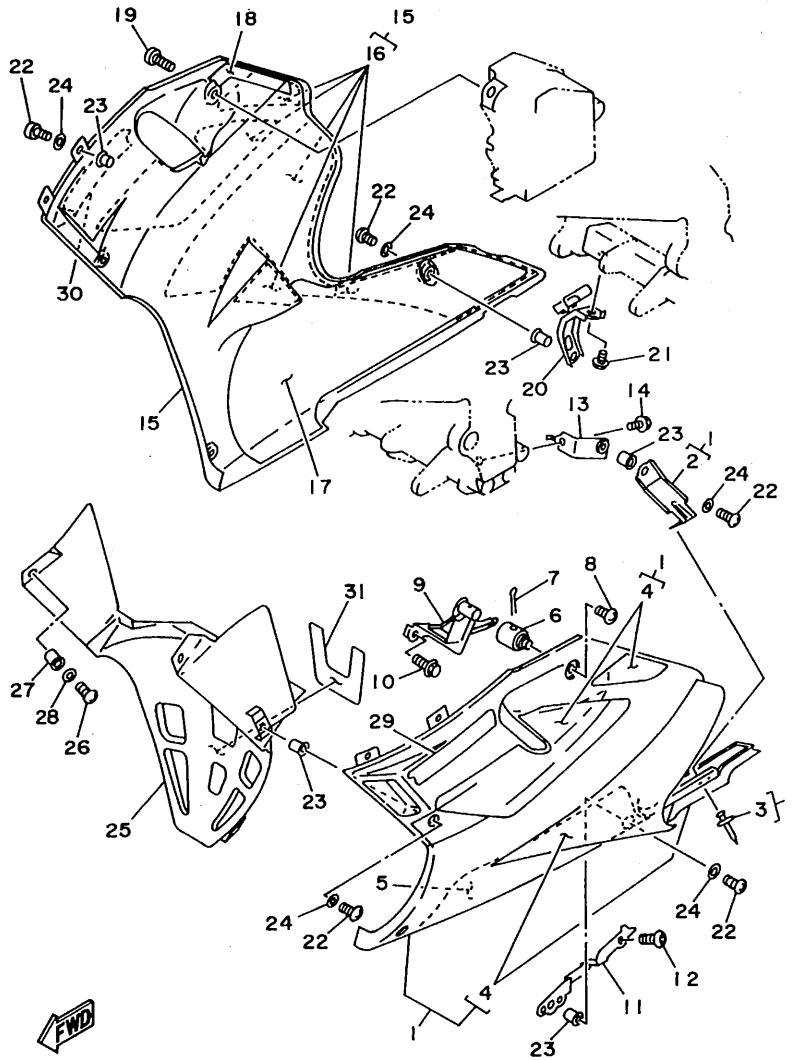


4JBI300-3350

REF. NO.	PART NO.	DESCRIPTION	Q'TY	REMARKS
1	4FL-W283E-00	BODY, FRONT LOWER 1	1	UR PURPLISH WHITE SOLID 1
	4FL-W283E-10	BODY, FRONT LOWER 1	1	UR YAMAHA BLACK
2	4FL-28357-00	.STAY 2	1	
3	90267-32109	.RIVET, BLIND	2	
4	4FL-28301-00	.GRAPHIC SET, LOWER COVER 1	1	UR FOR PWS1
	4FL-28301-10	.GRAPHIC SET, LOWER COVER 1	1	UR FOR YB
5	4FL-28371-00	DAMPER	1	
6	3XV-28364-00	NUT	1	
7	91401-30030	PIN, COTTER	1	
8	90150-06031	SCREW, ROUND HEAD	1	
9	3XV-28321-01	STAY 1	1	
10	95816-06016	BOLT, FLANGE	1	
11	3XV-2831U-01	STAY, SIDE 1	1	
12	92016-06012	SCREW	1	
13	4FL-28332-00	STAY, LEG SHIELD	1	
14	95811-06020	BOLT, FLANGE	1	
15	4FL-W283F-00	BODY, FRONT LOWER 2	1	UR PURPLISH WHITE SOLID 1
	4FL-W283F-10	BODY, FRONT LOWER 2	1	UR YAMAHA BLACK
16	4FL-28303-00	.GRAPHIC SET, LOWER COVER 2	1	UR FOR PWS1
	4FL-28303-10	.GRAPHIC SET, LOWER COVER 2	1	UR FOR YB
17	4FL-28372-00	DAMPER	1	
18	4FL-2834E-00	DAMPER	1	
19	90150-06031	SCREW, ROUND HEAD	1	
20	4FL-2832U-00	STAY, SIDE 1	1	
21	95811-06020	BOLT, FLANGE	1	
22	90154-05059	SCREW, BINDING	11	
23	90179-05523	NUT	11	
24	90202-06007	WASHER, PLATE	11	

**E5**

FIG. 35 COWLING 2



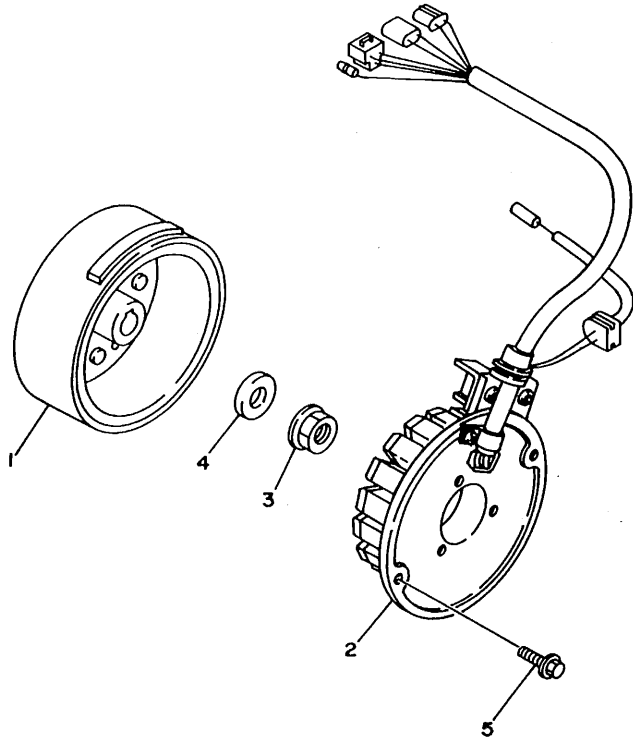
4JB1300-3350

REF. NO.	PART NO.	DESCRIPTION	Q'TY	REMARKS
25	4FL-2836K-01	PANEL, INNER 1	1	UR PURPLISH WHITE SOLID 1
	4FL-2836K-11	PANEL, INNER 1	1	UR YAMAHA BLACK
26	90154-05059	SCREW, BINDING	2	
27	90179-05523	NUT	2	
28	90202-06007	WASHER, PLATE	2	
29	4FL-28315-00	EMBLEM	1	UR FOR PWS1
	4FL-28315-10	EMBLEM	1	UR FOR YB
30	4FL-28315-00	EMBLEM	1	UR FOR PWS1
	4FL-28315-10	EMBLEM	1	UR FOR YB
31	4HX-2834E-00	DAMPER	1	FOR CHE/FIN/AUT

E6

FIG. 36 GENERATOR

REF. NO.	PART NO.	DESCRIPTION	Q'TY	REMARKS
1	4FL-85550-00	ROTOR ASSY	1	
2	4FL-85560-00	BASE ASSY	1	
3	90179-12421	NUT	1	
4	90201-123L6	WASHER, PLATE	1	
5	95023-06020	BOLT	2	



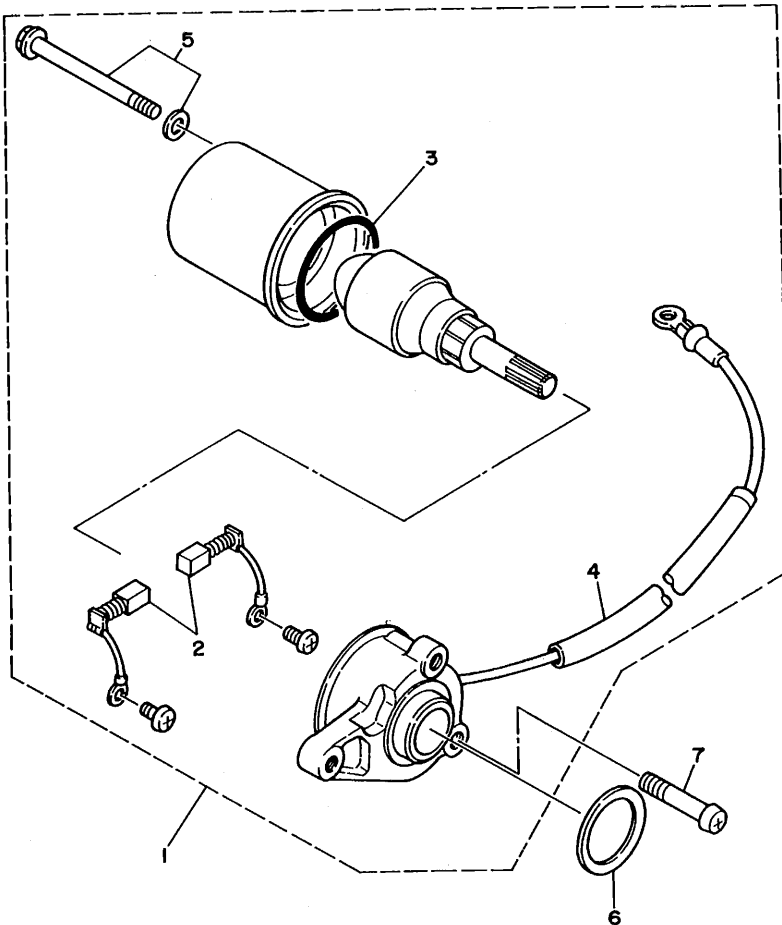
4FL1351-3360

**E7**



FIG. 37 STARTING MOTOR

REF. NO.	PART NO.	DESCRIPTION	Q'TY	REMARKS
1	4FL-81800-00	STARTING MOTOR ASSY	1	
2	50W-81801-M0	.BRUSH SET	1	
3	93210-44678	.O-RING	1	
4	3MB-8183G-01	.CORD COMP.	1	
5	50W-81828-M0	.BOLT 2	1	
6	90202-26166	WASHER, PLATE	1	
7	98511-06025	SCREW, PAN HEAD	1	

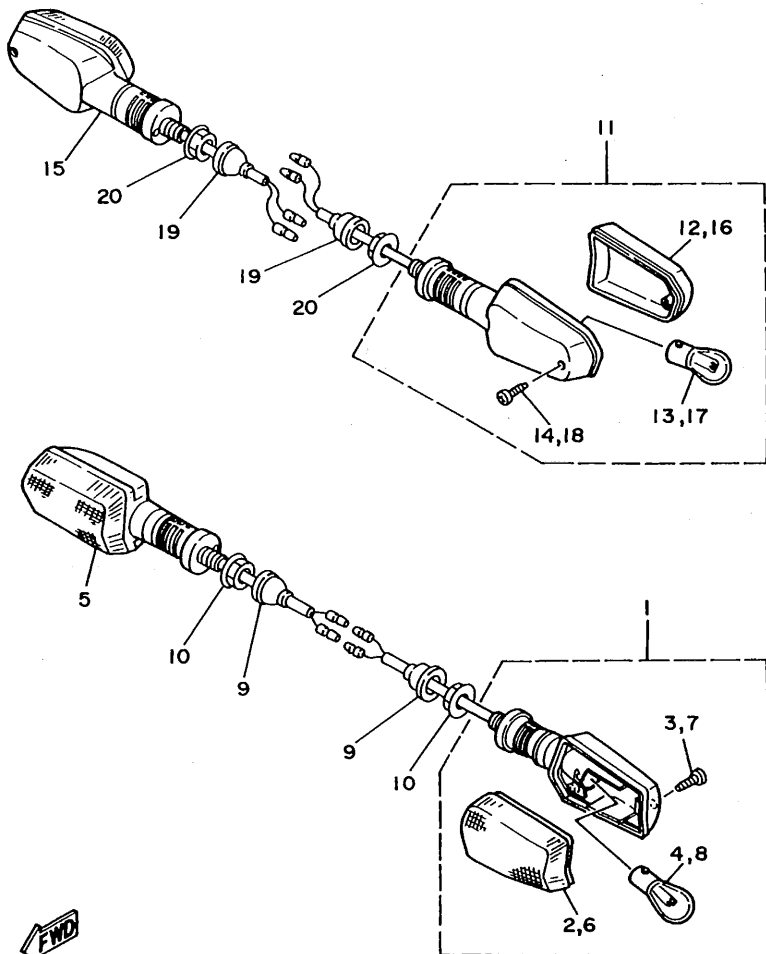


3MB1300-9380

**E8**

FIG. 38 FLASHER LIGHT

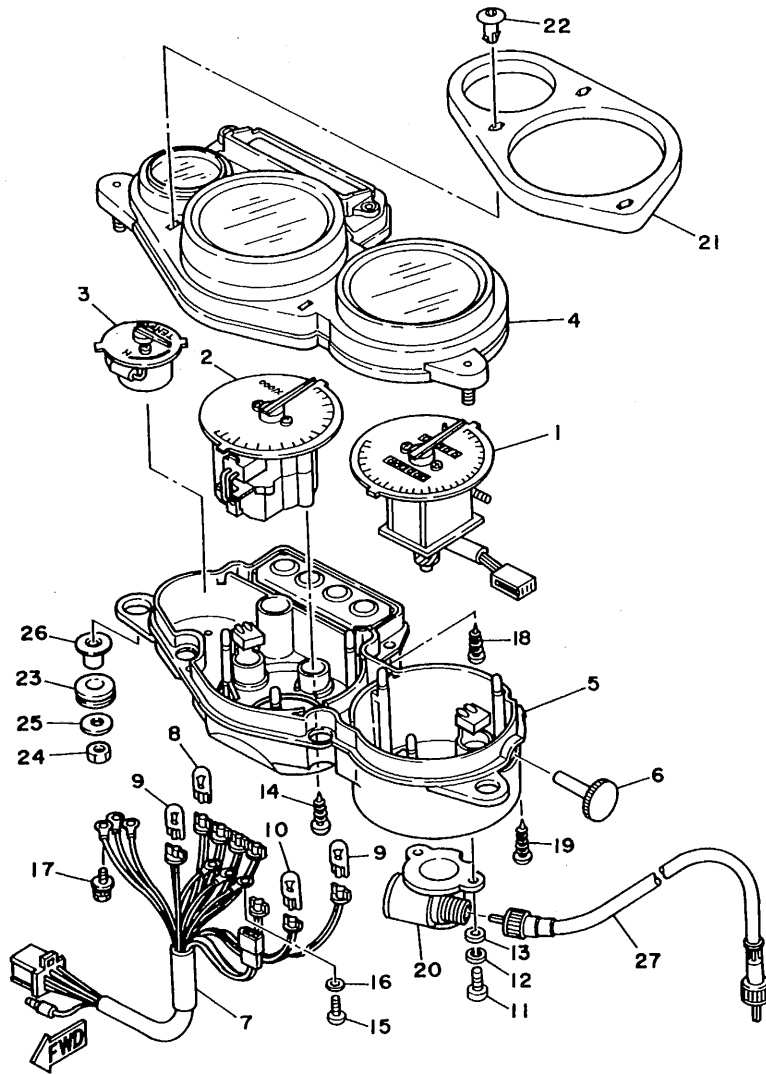
REF. NO.	PART NO.	DESCRIPTION	Q'TY	REMARKS
1	51J-83310-00	FRONT FLASHER LIGHT ASSY 1	1	
2	51L-83332-01	.LENS, FLASHER	1	
3	97706-40620	.SCREW, TAPPING	1	
4	306-83311-40	.BULB, FLASHER (12V-21W)	1	
5	51J-83320-00	FRONT FLASHER LIGHT ASSY 2	1	
6	51L-83342-01	.LENS, FLASHER 2	1	
7	97706-40620	.SCREW, TAPPING	1	
8	306-83311-40	.BULB, FLASHER (12V-21W)	1	
9	10V-83365-00	CAP	2	
10	95706-12500	NUT, FLANGE	2	
11	3VD-83330-00	REAR FLASHER LIGHT ASSY 1	1	
12	1VU-83332-00	.LENS, FLASHER	1	
13	306-83311-40	.BULB, FLASHER (12V-21W)	1	
14	97706-40620	.SCREW, TAPPING	1	
15	3VD-83340-00	FLASHER LIGHT ASSY 2	1	
16	1VU-83342-00	.LENS, FLASHER 2	1	
17	306-83311-40	.BULB, FLASHER (12V-21W)	1	
18	97706-40620	.SCREW, TAPPING	1	
19	10V-83365-00	CAP	2	
20	95706-12500	NUT, FLANGE	2	



4FL1351-3380

E9

FIG. 39 METER

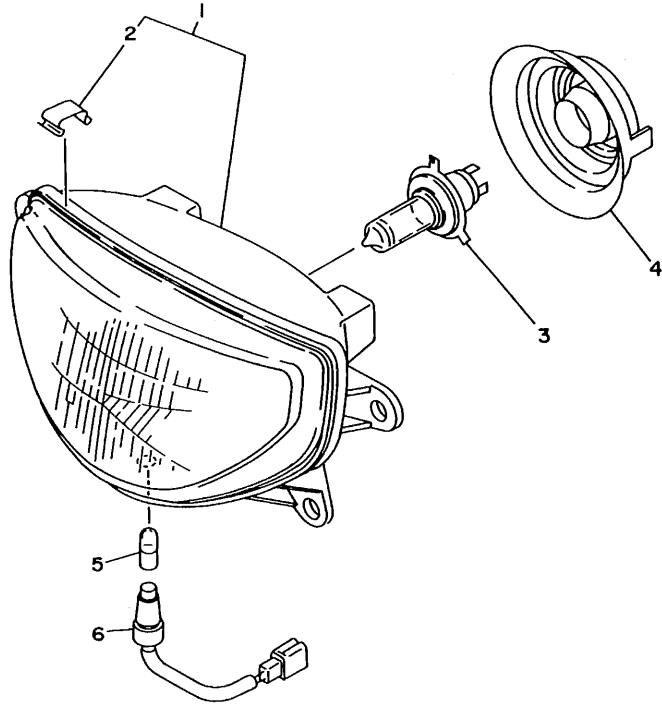


4FL1351-3390

REF. NO.	PART NO.	DESCRIPTION	Q'TY	REMARKS
1	4FL-83570-00	SPEEDOMETER ASSY	1	
2	3XV-83540-00	TACHOMETER ASSY	1	
3	3XV-83590-00	WATER TEMPERATURE ASSY	1	
4	3GM-83559-00	COVER, METER	1	
5	3LG-8353H-10	CASE, INNER	1	
6	2GH-83578-00	KNOB, TRIP METER	1	
7	4FL-83509-00	SOCKET CORD ASSY	1	
8	4G1-84744-00	BULB (12V-3.4W)	4	
9	3GM-83517-00	BULB (12V-1.7W)	3	
10	2GV-83517-00	BULB (12V-1.7W, T6.5)	1	
11	98580-04010	SCREW, PAN HEAD	4	
12	92902-04100	WASHER, SPRING	4	
13	92901-04600	WASHER, PLATE	4	
14	90167-04057	SCREW, TAPPING	2	
15	98580-03010	SCREW, PAN HEAD	3	
16	92990-03100	WASHER, SPRING	3	
17	90159-03102	SCREW, WITH WASHER	3	
18	90164-04008	SCREW, TAPPING	4	
19	90167-03058	SCREW, TAPPING	1	
20	3GM-83520-00	SOCKET CORD ASSY	1	
21	3GM-83513-00	DAMPER	1	
22	3GM-83525-00	CLIP	3	
23	90480-14023	GROMMET	2	
24	95316-06600	NUT	2	
25	90201-06697	WASHER, PLATE	2	
26	90387-06388	COLLAR	2	
27	4FL-83550-00	SPEEDOMETER CABLE ASSY	1	

FIG. 40 HEADLIGHT

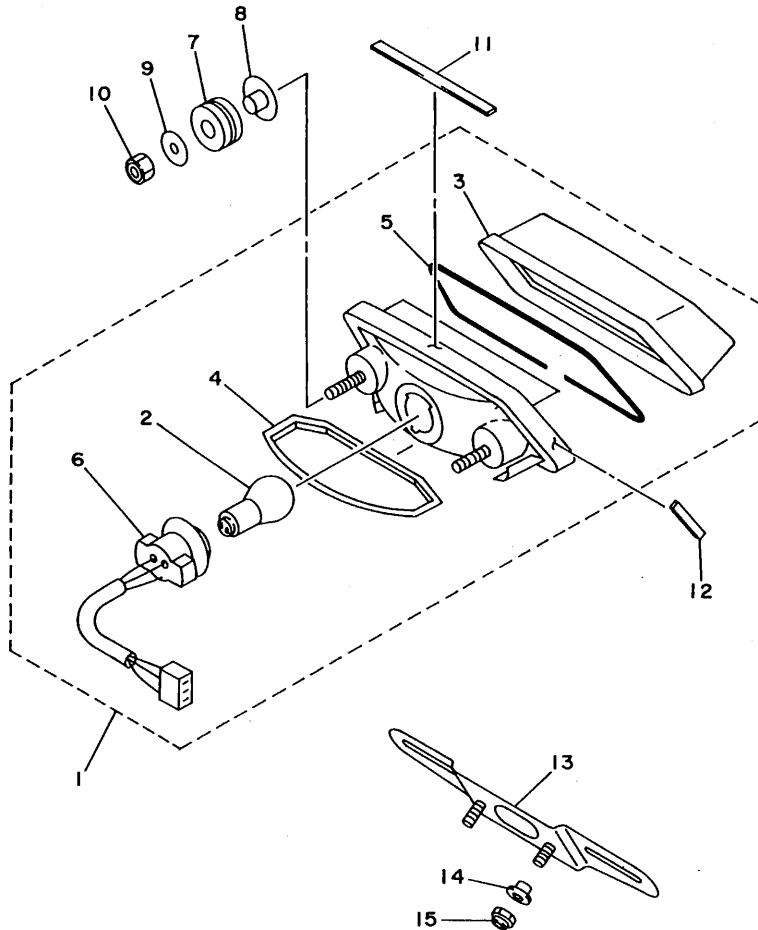
REF. NO.	PART NO.	DESCRIPTION	Q'TY	REMARKS
1	4FL-84320-00	LENS ASSY	1	
2	3MA-8413H-00	.PLATE, SPRING	3	
3	2F9-84314-00	BULB (12V-60/55W)	1	HALOGEN
4	3XV-84397-00	COVER, SOCKET	1	
5	4E2-84347-00	BULB (12V-4W)	1	
6	3HE-84312-40	HOLDER, SOCKET	1	



4FL1351-3400

E11

FIG. 41 TAILLIGHT



REF. NO.	PART NO.	DESCRIPTION	Q'TY	REMARKS
1	4FL-84710-00	TAILLIGHT UNIT ASSY	1	
2	31L-84714-00	.BULB, TAILLIGHT (12V-21/5W)	1	
3	3XV-84721-00	.LENS, TAILLIGHT	1	
4	3XV-84743-00	.LENS, LICENCE LIGHT	1	
5	3XV-84723-00	.GASKET, TAIL LENS	1	
6	4FL-84735-00	.CORD ASSY	1	
7	90480-18276	GROMMET	2	
8	90387-06033	COLLAR	2	
9	90201-063J2	WASHER, PLATE	2	
10	95601-06200	NUT, SELF-LOCKING	2	
11	4FL-21746-00	DAMPER	1	
12	3LD-24854-00	DAMPER	2	
13	1KH-84751-00-90	BRACKET, LICENSE	1	UNI-CHROME (BLACK CHROMATE)
14	90387-061M0	COLLAR	2	
15	95616-06100	NUT, U	2	



4FL1351-3410

**E12**

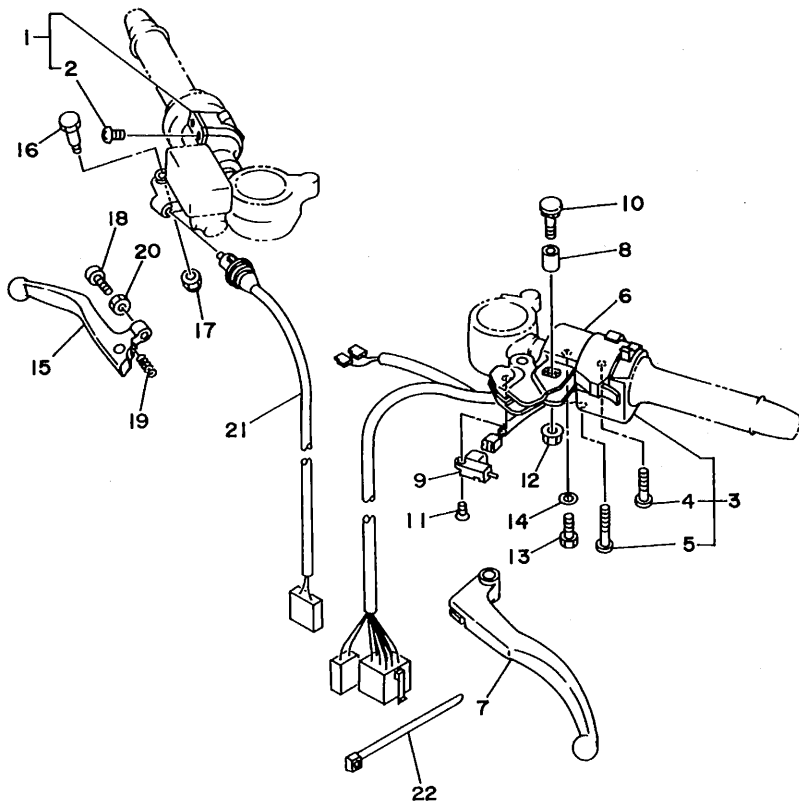


FIG. 42 HANDLE SWITCH. LEVER

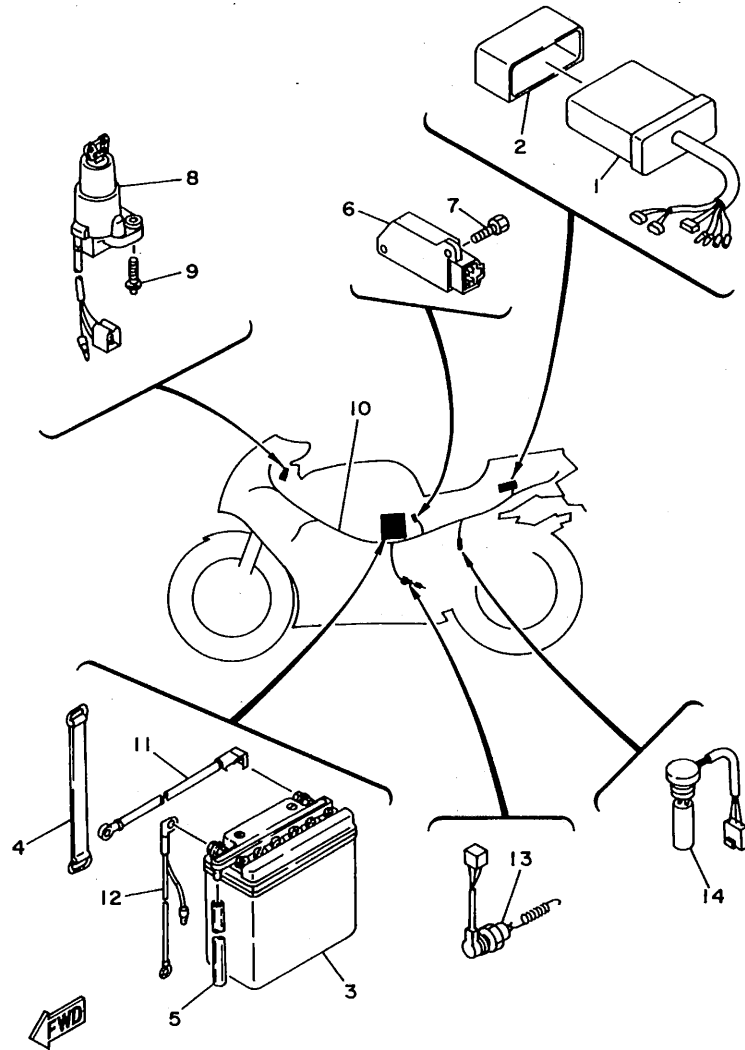
REF. NO.	PART NO.	DESCRIPTION	Q'TY	REMARKS
1	3YA-83975-00	SWITCH, HANDLE 2	1	
2	90157-05057	.SCREW, PAN HEAD	2	
3	4FL-83969-00	SWITCH, HANDLE 5	1	
4	98506-05030	.SCREW, PAN HEAD	1	
5	98506-05040	.SCREW, PAN HEAD	1	
6	29L-82911-01	HOLDER, LEVER 1	1	
7	3HE-83912-00	LEVER 1	1	
8	31A-83913-00	COLLAR, LEVER 1	1	
9	31A-82917-00	SWITCH	1	
10	31A-83945-00	BOLT, LEVER	1	
11	98702-03008	SCREW, FLAT HEAD	1	
12	95616-06100	NUT, U	1	
13	97011-06025	BOLT	1	
14	92906-06100	WASHER, SPRING	1	
15	3GM-83922-00	LEVER 2	1	
16	90109-06577	BOLT	1	
17	95616-06100	NUT, U	1	
18	90149-06153	SCREW	1	
19	90501-10312	SPRING, COMPRESSION	1	
20	90170-06010	NUT	1	
21	4FU-83980-00	FRONT STOP SWITCH ASSY	1	
22	3MA-82591-00	BAND	1	



4FL1351-3420

E13

FIG. 43 ELECTRICAL 1

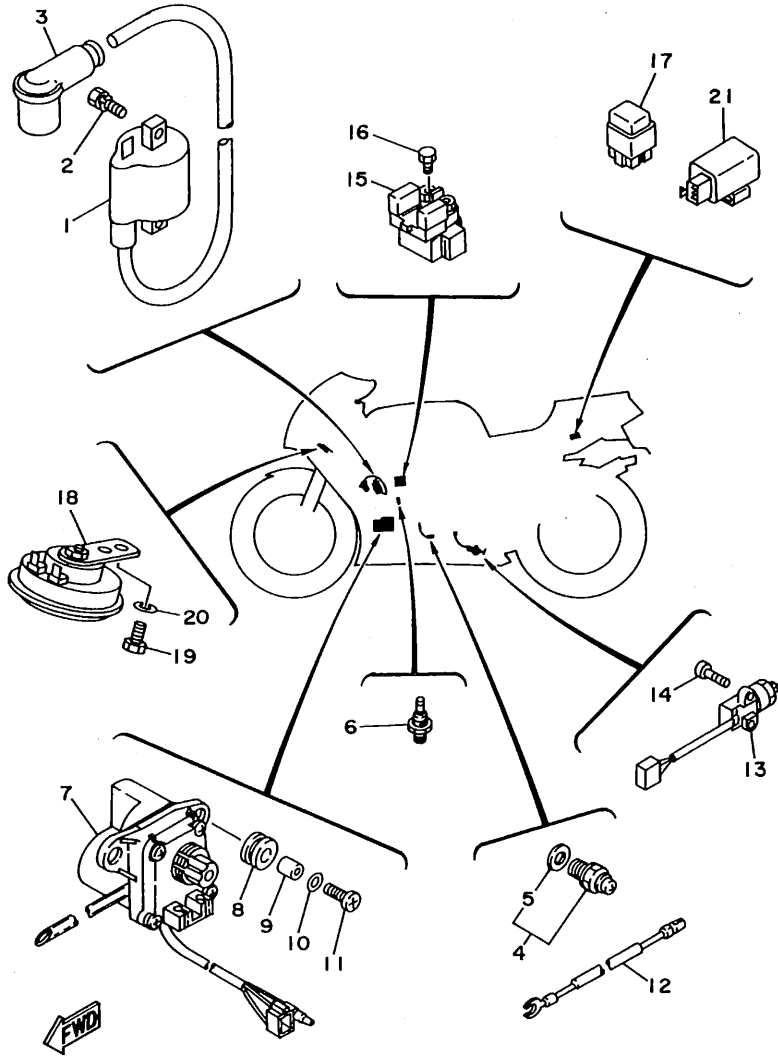


4FL1351-3430

REF. NO.	PART NO.	DESCRIPTION	Q'TY	REMARKS
1	4JB-85540-00	C.D.I. UNIT ASSY	1	UR FOR BEL/GRC/PRT
	4HW-85540-00	C.D.I. UNIT ASSY	1	UR FOR GBR
	4HX-85540-00	C.D.I. UNIT ASSY	1	UR FOR CHE/FIN/AUT
2	4FL-85546-00	BAND	1	
3	3MB-82110-00	BATTERY ASSY	1	
4	43G-14455-00	BAND	1	
5	90445-084G9	HOSE	1	
6	47X-81960-A2	RECTIFIER & REGULATOR ASSY	1	
7	91311-06020	BOLT	2	
8	4FL-82501-00	MAIN SWITCH STEERING LOCK	1	
9	90109-060G4	BOLT	2	
10	4FL-82590-00	WIRE HARNESS ASSY	1	
11	4FL-82115-00	WIRE, PLUS LEAD	1	
12	3MB-82116-00	WIRE, MINUS LEAD	1	
13	3XV-82530-01	STOP SWITCH ASSY	1	
14	3XV-85720-00	OIL LEVEL GAUGE ASSY	1	

E14

FIG. 44 ELECTRICAL 2



REF. NO.	PART NO.	DESCRIPTION	Q'TY	REMARKS
1	3KJ-82310-00	IGNITION COIL ASSY	1	
2	90153-06059	SCREW, HEXAGON	2	
3	3XV-82370-00	PLUG CAP ASSY	1	
4	2H7-82540-00	NEUTRAL SWITCH ASSY	1	
5	341-82543-00	.GASKET	1	
6	11H-83591-00	THERMO UNIT	1	
7	4FL-85820-00	SERVO MOTOR ASSY	1	
8	90480-14023	GROMMET	2	
9	90387-06299	COLLAR	2	
10	90201-06067	WASHER, PLATE	2	
11	98511-06025	SCREW, PAN HEAD	2	
12	4FL-82541-00	WIRE, LEAD	1	
13	3LD-82566-80	SWITCH, SIDE STAND	1	
14	90157-05079	SCREW, PAN HEAD	2	
15	4FL-81940-00	STARTER RELAY ASSY	1	
16	95023-06008	BOLT	2	
17	25G-81950-01	RELAY ASSY	1	
18	4FL-83371-00	HORN	1	
19	97026-06010	BOLT	1	
20	92906-06100	WASHER, SPRING	1	
21	3YA-83350-10	FLASHER RELAY ASSY	1	N.D.

4FL1351-3440

**E15**



**INDIVIDUAL SPEC.**

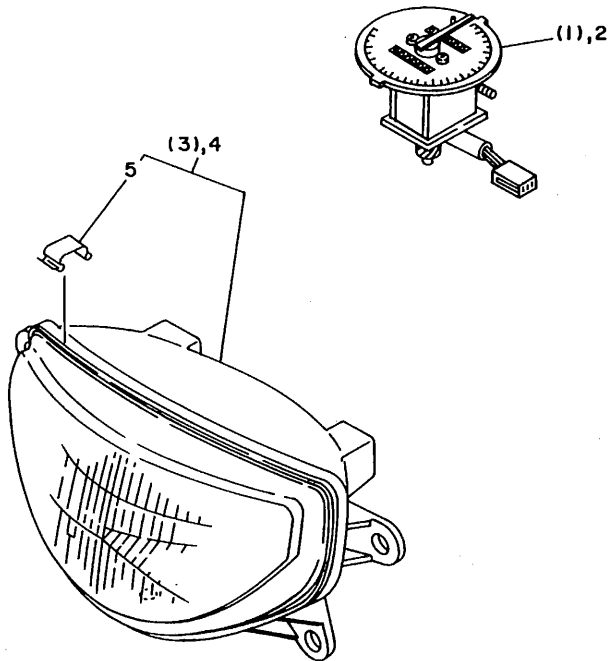


# **FOR ENGLAND**

The following pages provides a listing of only the parts that meet the specifications peculiar to your market. For those parts not appearing in these pages, refer to the "GENERAL SPEC" section.

FIG. 45 ALTERNATE (ELECTRICAL)

REF. NO.	PART NO.	DESCRIPTION	Q'TY	REMARKS
1	4FL-83570-00	SPEEDOMETER ASSY	*	
2	4HW-83570-00	SPEEDOMETER ASSY	1	
3	4FL-84320-00	LENS ASSY	*	
4	4FL-84320-20	LENS ASSY	1	
5	3MA-8413H-00	.PLATE, SPRING	4	



4JB1300-3450

\* For convenience of reference:

Disregard the items asterisked (\*) in the "QTY" column. These are intended for GENERAL SPEC, and NOT for INDIVIDUAL SPEC.

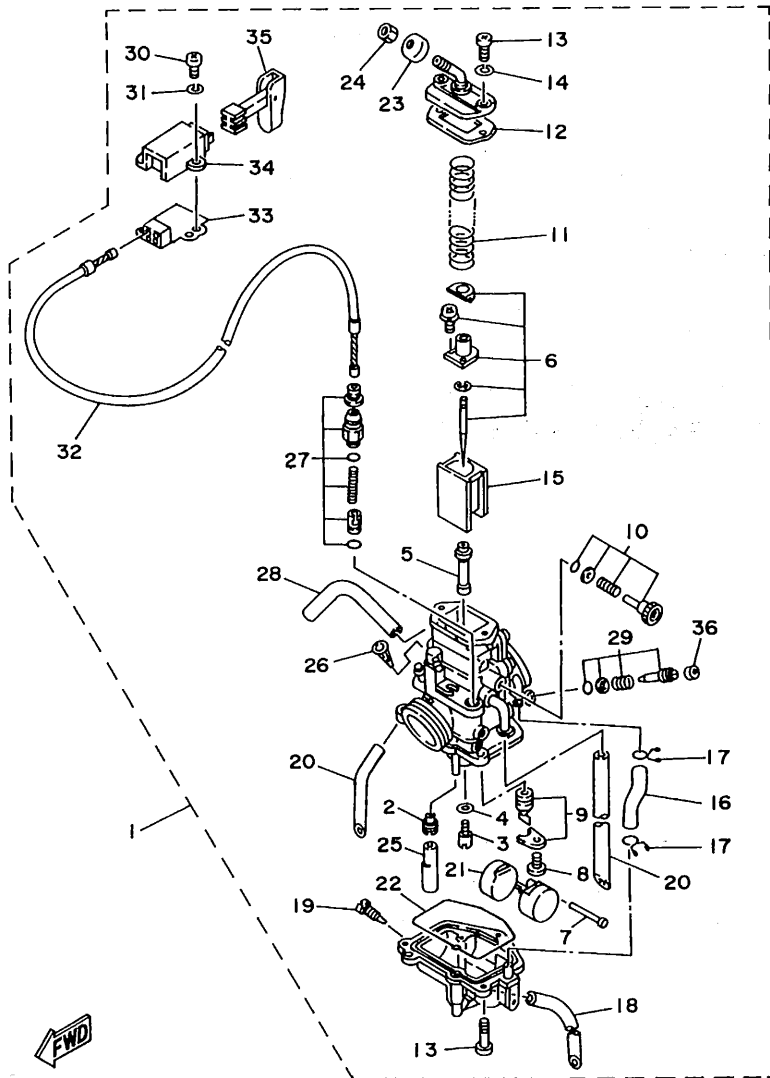
**F3**

**FOR FINLAND**

**FOR SWITZERLAND**

The following pages provides a listing of only the parts that meet the specifications peculiar to your market. For those parts not appearing in these pages, refer to the "GENERAL SPEC" section.

FIG. 46 ALTERNATE (CARBURETOR)

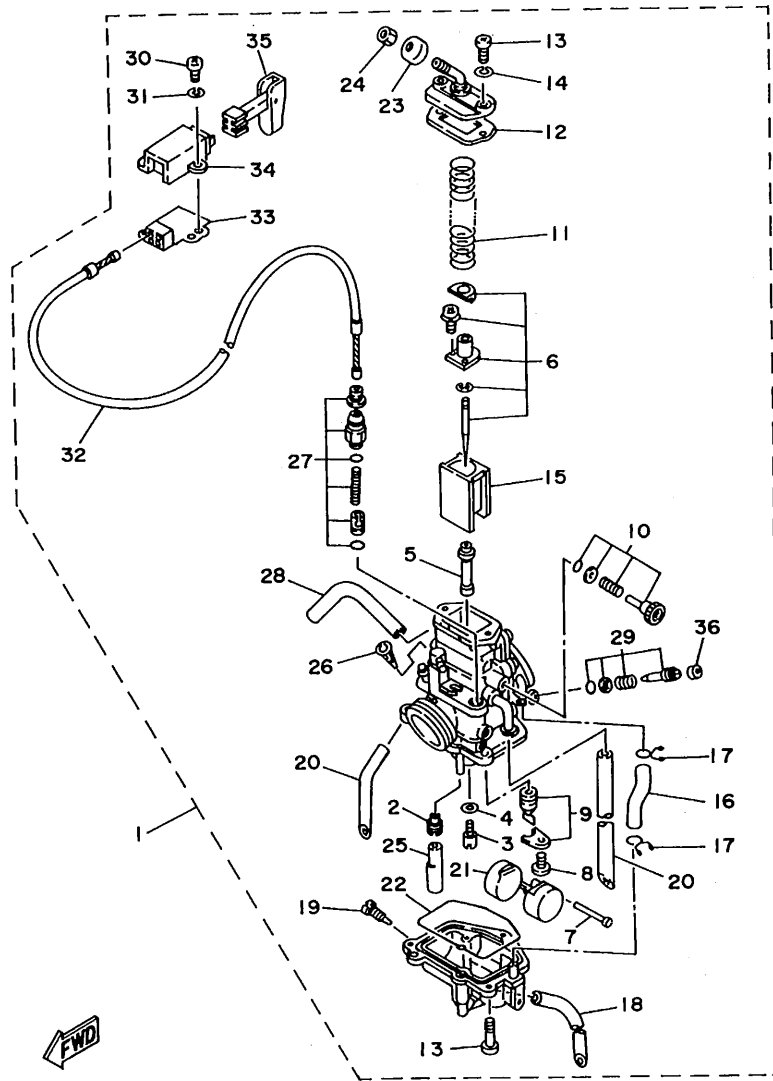


4JB1300-3460

REF. NO.	PART NO.	DESCRIPTION	Q'TY	REMARKS
1	4HX-14101-00	CARBURETOR ASSY 1	1	
2	193-14142-15-A0	.JET, PILOT (#15)	1	
3	137-14143-42-A1	.JET, MAIN (#210)	1	
4	137-14153-00	.WASHER, MAIN JET	1	
5	1KT-14141-42	.NOZZLE, MAIN	1	
6	4FL-1490J-00	.NEEDLE SET	1	
7	537-14186-00	.PIN, FLOAT	1	
8	98580-04008	.SCREW, PAN HEAD	1	
9	2MA-14107-28	.NEEDLE VALVE SET	1	
10	3ET-14103-00	.THROTTLE SCREW SET	1	
11	1KT-14131-00	.SPRING, THROTTLE VALVE	1	
12	1KT-14198-00	.GASKET	1	
13	98503-04014	.SCREW, PAN HEAD	5	
14	92902-04100	.WASHER, SPRING	2	
15	3XV-14112-10	.VALVE, THROTTLE 1	1	
16	90445-07747	.HOSE	1	
17	8A7-14139-00	.CLIP, PIPE	2	
18	90445-05319	.HOSE	1	
19	53L-14191-00	.PLUG, DRAIN	1	
20	3MB-14197-00	.PIPE	2	
21	3XC-14185-00	.FLOAT	1	
22	1KT-14147-00	.O-RING	1	
23	3X3-14169-00	.CAP	1	
24	127-14161-00	.NUT, CABLE ADJUSTING	1	
25	1KT-14148-00	.PIPE	1	
26	1KT-14994-00	.NET, FILTER	1	
27	3XV-1410A-00	.STARTER SET	1	
28	87M-12484-00	.HOSE	1	

**F5**

FIG. 46 ALTERNATE (CARBURETOR)



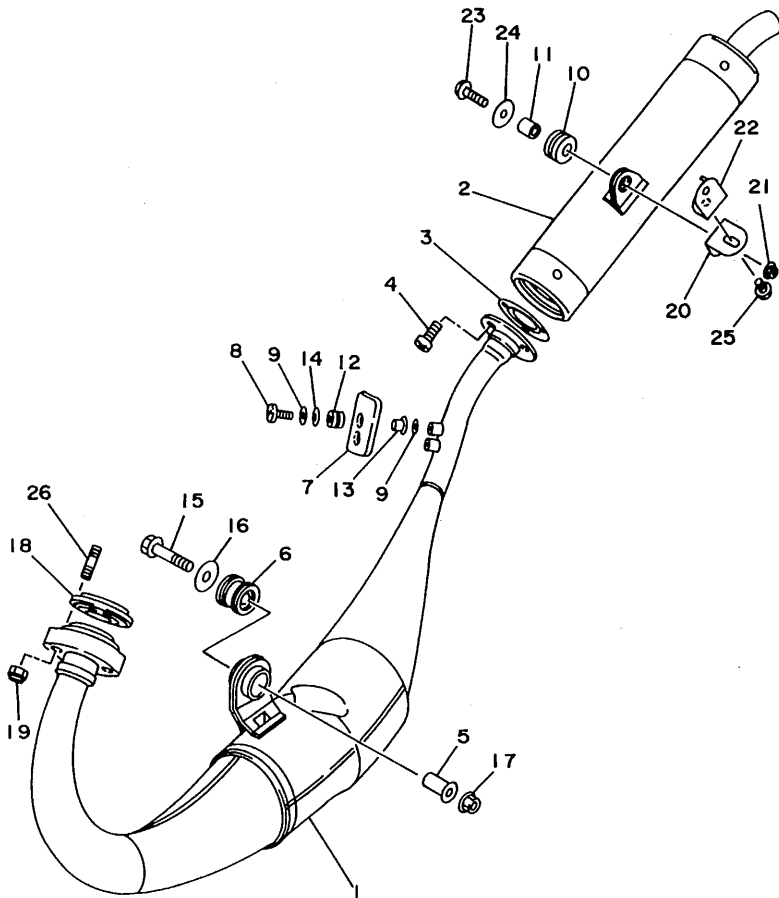
4JBI300-3460

REF. NO.	PART NO.	DESCRIPTION	Q'TY	REMARKS
29	3MB-14104-00	.AIR SCREW SET	1	
30	98506-04010	.SCREW, PAN HEAD	2	
31	92906-04100	.WASHER, SPRING	2	
32	3XV-26331-00	.CABLE, STARTER 1	1	
33	4FL-14204-00	.CASE, STARTER	1	
34	47X-14205-00	.CAP, STARTER	1	
35	47X-14201-00	.CHOKE LEVER COMP.	1	
36	2RJ-14118-00	.CAP	1	

**F6**

FIG. 47 ALTERNATE (EXHAUST)

REF. NO.	PART NO.	DESCRIPTION	Q'TY	REMARKS
1	4HX-14711-00	MUFFLER 1	1	
2	4HX-14753-01	SILENCER, EXHAUST	1	
3	3XV-14755-01	GASKET, SILENCER	1	
4	91316-06016	BOLT	3	
5	90387-084L1	COLLAR	1	
6	48H-27414-00	DAMPER, FOOTREST	1	
7	4HX-14718-00	PROTECTOR, MUFFLER 1	1	
8	98906-06016	SCREW, BIND	2	
9	4BD-14766-00	WASHER, PROTECTOR	4	
10	90480-18575	GROMMET	1	
11	90387-105L0	COLLAR	1	
12	90480-12579	GROMMET	2	
13	90387-061V4	COLLAR	2	
14	90201-06050	WASHER, PLATE	2	
15	95816-08045	BOLT, FLANGE	1	
16	90201-080E4	WASHER, PLATE	1	
17	95701-08500	NUT, FLANGE	1	
18	3PA-14613-10	GASKET, EXHAUST PIPE	1	
19	90179-08270	NUT	2	
20	4FL-14744-00	BRACKET	1	
21	95706-06500	NUT, FLANGE	1	
22	4FL-14744-10	BRACKET	1	
23	95816-06025	BOLT, FLANGE	1	
24	90201-060A3	WASHER, PLATE	1	
25	95816-06012	BOLT, FLANGE	1	
26	90116-08042	BOLT, STUD	2	



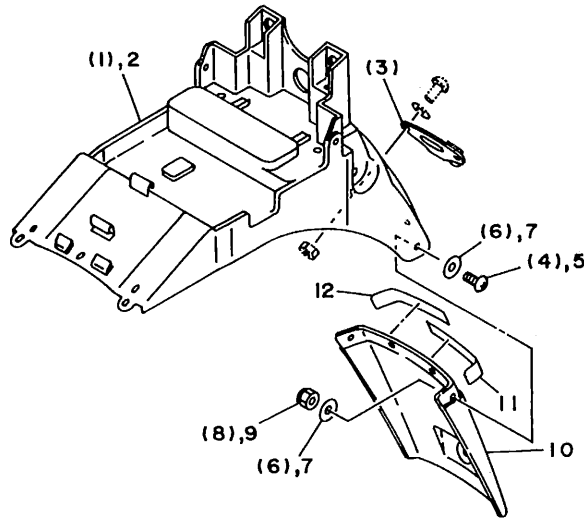
4JBI300-3470

F7



FIG. 48 ALTERNATE (CHASSIS)

REF. NO.	PART NO.	DESCRIPTION	Q'TY	REMARKS
1	4FL-21611-00	FENDER, REAR	*	
2	4FL-21611-10	FENDER, REAR	1	
3	3HE-85132-01	BRACKET, REFLECTOR 1	*	
4	90149-04278	SCREW	*	
5	90149-04278	SCREW	4	
6	90201-047A2	WASHER, PLATE	*	
7	90201-047A2	WASHER, PLATE	8	
8	95601-04100	NUT, U	*	
9	95601-04100	NUT, U	4	
10	3HE-21621-00	FLAP	1	
11	3GM-21649-00	DAMPER	1	
12	3GM-21649-10	DAMPER	1	



4JB1300-3480

\* For convenience of reference:

Disregard the items asterisked (\*) in the "QTY" column. These are intended for GENERAL SPEC, and NOT for INDIVIDUAL SPEC.

**F8**

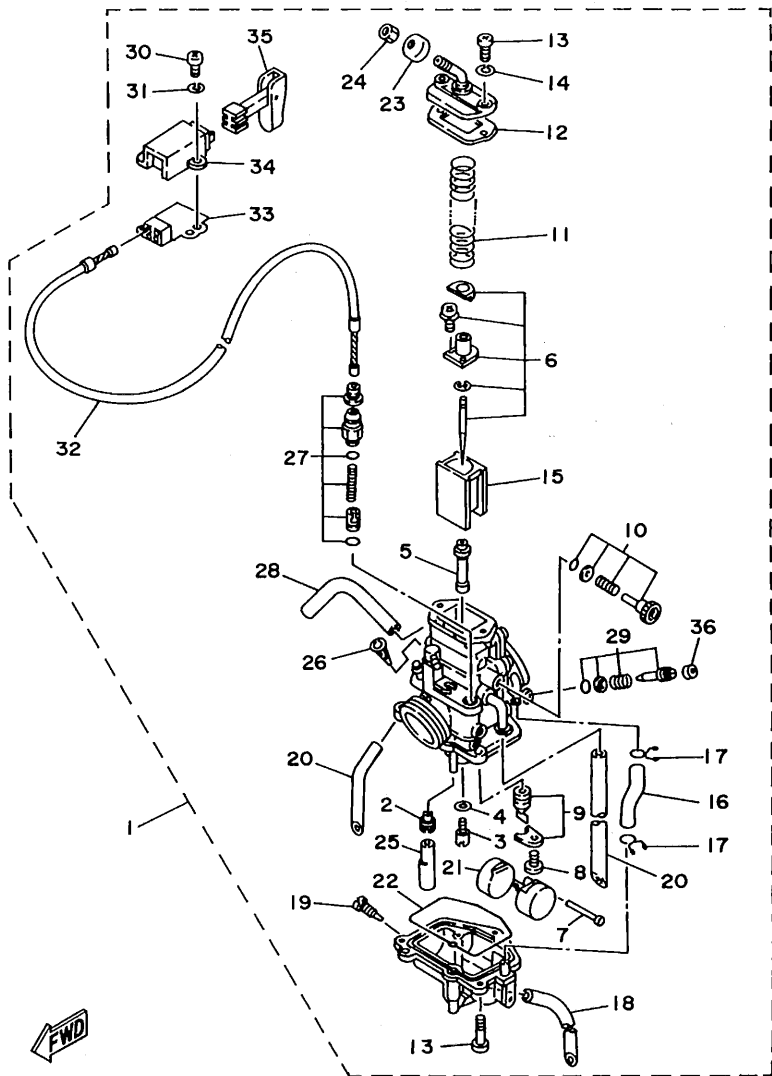


# **FOR AUSTRIA**

The following pages provides a listing of only the parts that meet the specifications peculiar to your market. For those parts not appearing in these pages, refer to the "GENERAL SPEC" section.

FIG. 49 ALTERNATE (CARBURETOR)

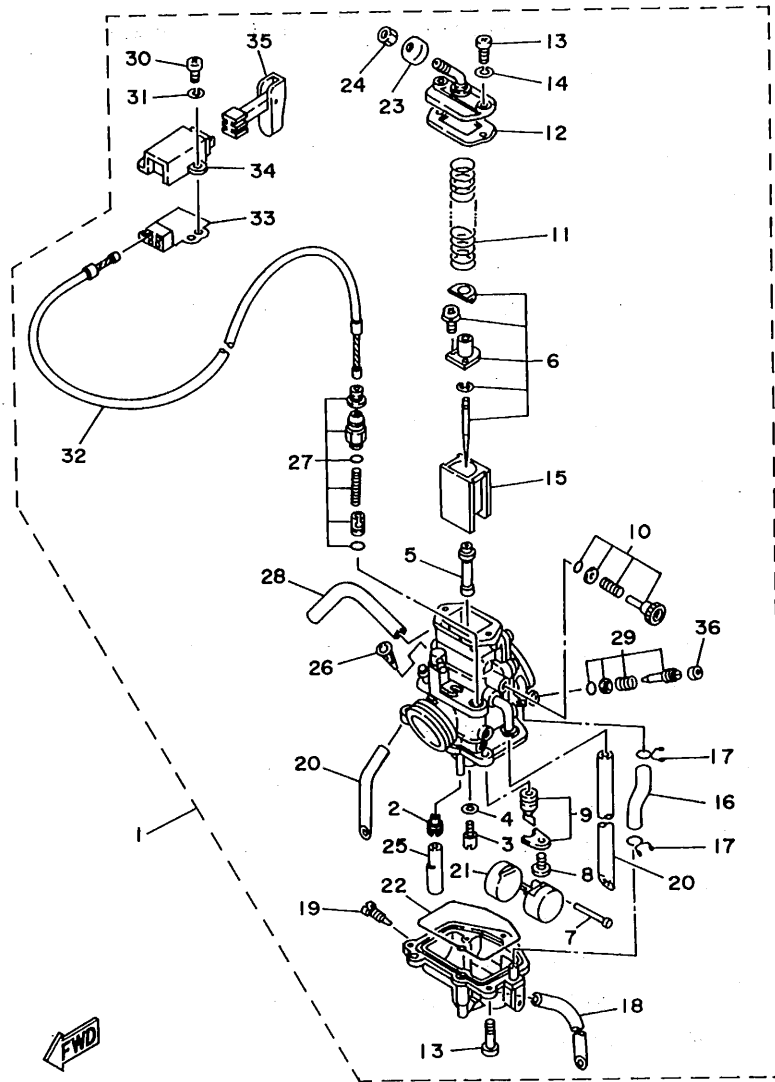
REF. NO.	PART NO.	DESCRIPTION	Q'TY	REMARKS
1	4HX-14101-00	CARBURETOR ASSY 1	1	
2	193-14142-15-A0	.JET, PILOT (#15)	1	
3	137-14143-42-A1	.JET, MAIN (#210)	1	
4	137-14153-00	.WASHER, MAIN JET	1	
5	1KT-14141-42	.NOZZLE, MAIN	1	
6	4FL-1490J-00	.NEEDLE SET	1	
7	537-14186-00	.PIN, FLOAT	1	
8	98580-04008	.SCREW, PAN HEAD	1	
9	2MA-14107-28	.NEEDLE VALVE SET	1	
10	3ET-14103-00	.THROTTLE SCREW SET	1	
11	1KT-14131-00	.SPRING, THROTTLE VALVE	1	
12	1KT-14198-00	.GASKET	1	
13	98503-04014	.SCREW, PAN HEAD	5	
14	92902-04100	.WASHER, SPRING	2	
15	3XV-14112-10	.VALVE, THROTTLE 1	1	
16	90445-07747	.HOSE	1	
17	8A7-14139-00	.CLIP, PIPE	2	
18	90445-05319	.HOSE	1	
19	53L-14191-00	.PLUG, DRAIN	1	
20	3MB-14197-00	.PIPE	2	
21	3XC-14185-00	.FLOAT	1	
22	1KT-14147-00	.O-RING	1	
23	3X3-14169-00	.CAP	1	
24	127-14161-00	.NUT, CABLE ADJUSTING	1	
25	1KT-14148-00	.PIPE	1	
26	1KT-14994-00	.NET, FILTER	1	
27	3XV-1410A-00	.STARTER SET	1	
28	87M-12484-00	.HOSE	1	



4JBI300-3460

F10

FIG. 49 ALTERNATE (CARBURETOR)

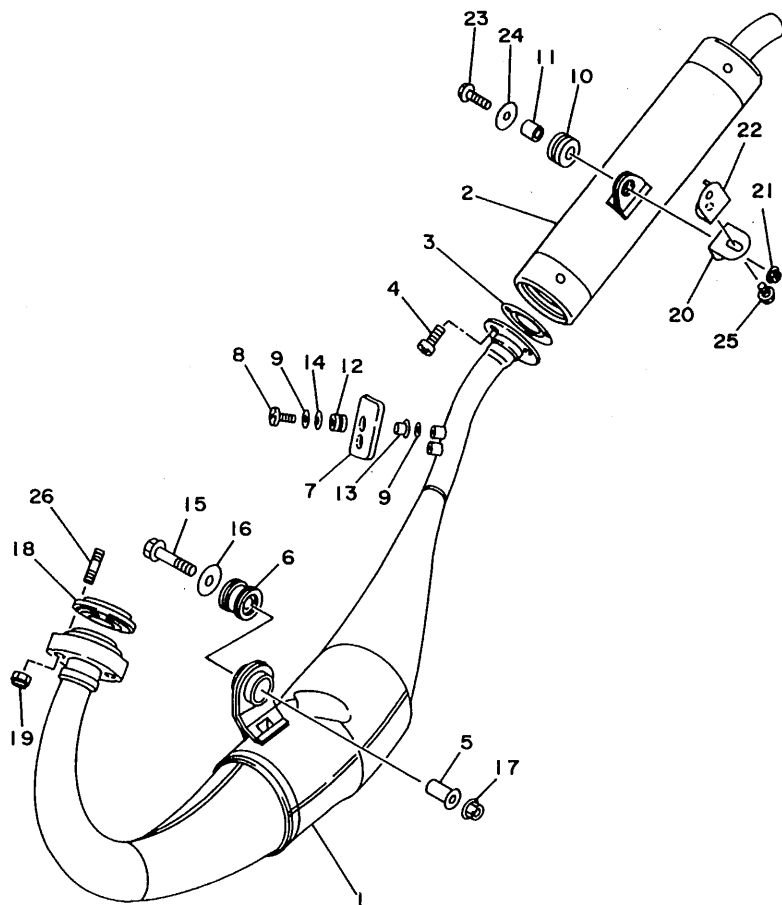


4JBI300-3460

REF. NO.	PART NO.	DESCRIPTION	Q'TY	REMARKS
29	3MB-14104-00	.AIR SCREW SET	1	
30	98506-04010	.SCREW, PAN HEAD	2	
31	92906-04100	.WASHER, SPRING	2	
32	3XV-26331-00	.CABLE, STARTER 1	1	
33	4FL-14204-00	.CASE, STARTER	1	
34	47X-14205-00	.CAP, STARTER	1	
35	47X-14201-00	.CHOKE LEVER COMP.	1	
36	2RJ-14118-00	.CAP	1	

F11

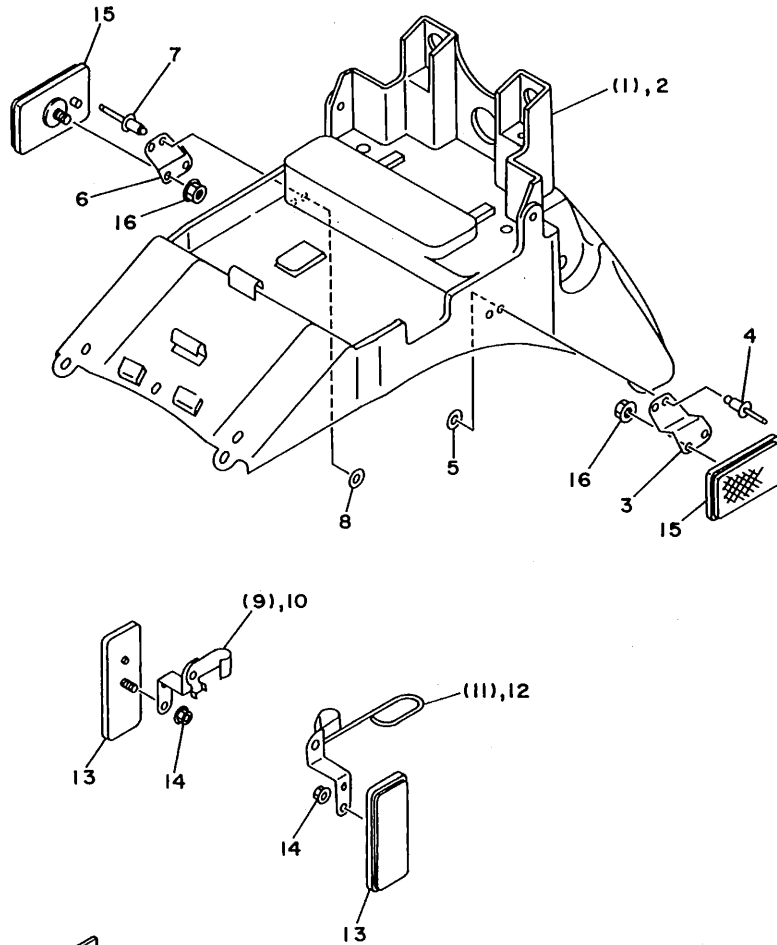
FIG. 50 ALTERNATE (EXHAUST)



REF. NO.	PART NO.	DESCRIPTION	Q'TY	REMARKS
1	4HX-14711-00	MUFFLER 1	1	
2	4HX-14753-01	SILENCER, EXHAUST	1	
3	3XV-14755-01	GASKET, SILENCER	1	
4	91316-06016	BOLT	3	
5	90387-084L1	COLLAR	1	
6	48H-27414-00	DAMPER, FOOTREST	1	
7	4HX-14718-00	PROTECTOR, MUFFLER 1	1	
8	98906-06016	SCREW, BIND	2	
9	4BD-14766-00	WASHER, PROTECTOR	4	
10	90480-18575	GROMMET	1	
11	90387-105L0	COLLAR	1	
12	90480-12579	GROMMET	2	
13	90387-061V4	COLLAR	2	
14	90201-06050	WASHER, PLATE	2	
15	95816-08045	BOLT, FLANGE	1	
16	90201-080E4	WASHER, PLATE	1	
17	95701-08500	NUT, FLANGE	1	
18	3PA-14613-10	GASKET, EXHAUST PIPE	1	
19	90179-08270	NUT	2	
20	4FL-14744-00	BRACKET	1	
21	95706-06500	NUT, FLANGE	1	
22	4FL-14744-10	BRACKET	1	
23	95816-06025	BOLT, FLANGE	1	
24	90201-060A3	WASHER, PLATE	1	
25	95816-06012	BOLT, FLANGE	1	
26	90116-08042	BOLT, STUD	2	

4JBI300-3470

FIG. 51 ALTERNATE (CHASSIS)



REF. NO.	PART NO.	DESCRIPTION	Q'TY	REMARKS
1	4FL-21611-00	FENDER, REAR	*	
2	4FL-21611-20	FENDER, REAR	1	
3	2LJ-21688-00	BRACKET, REAR STAY	1	
4	90267-40076	RIVET, BLIND	2	
5	90201-044A2	WASHER, PLATE	2	
6	2LJ-21689-00	BRACKET, REAR STAY 2	1	
7	90267-40076	RIVET, BLIND	2	
8	90201-044A2	WASHER, PLATE	2	
9	3XV-25876-20	HOLDER, BRAKE HOSE 2	*	
10	4HX-25876-10	HOLDER, BRAKE HOSE 2	1	
11	3XV-25876-10	HOLDER, BRAKE HOSE 2	*	
12	4HX-25876-00	HOLDER, BRAKE HOSE 2	1	
13	11H-85110-01	REFLECTOR ASSY	2	
14	95701-05500	NUT, FLANGE	2	
15	23V-85110-00	REFLECTOR ASSY	2	
16	95701-05500	NUT, FLANGE	2	



4JBI300-3510

\* For convenience of reference:

Disregard the items asterisked (\*) in the "QTY" column. These are intended for GENERAL SPEC, and NOT for INDIVIDUAL SPEC.

**F13**





# **INDEX**

**(GENERAL SPEC.)**

NUMERICAL INDEX

PART NO.	GRID NO.	PART NO.	GRID NO.	PART NO.	GRID NO.	PART NO.	GRID NO.	PART NO.	GRID NO.	PART NO.	GRID NO.
23L-W0041-00	D-13	4FL-12411-00	B- 6	537-14186-00	B-10	21V-16321-00	C- 2	4FL-21511-00	C- 9	34L-22216-00	C-14
3TU-W0042-51	E- 2	3BN-12414-10	B- 6	53L-14191-00	B-10	1V1-16324-00	C- 2	4FL-21511-10	C- 9	4FL-22251-00	D- 2
3MA-W0045-00	D- 8	3BN-12422-11	B- 5	3MB-14197-00	B-10	1HX-16331-00	C- 2	3XV-21596-00	C- 7		D- 3
1KT-W0046-52	D-11	3BN-12428-11	B- 5	1KT-14198-00	B-10	37F-16351-00	C- 2	3XV-21597-00	C- 7	2RH-22311-01	C-13
3GM-W0047-00	D- 8	4FL-1243A-00	B- 7	47X-14201-00	B-11	1W1-16356-02	C- 2	3XV-2160A-00	C- 9	4FL-23102-01	D- 2
3MA-W0047-10	D- 8	4FL-1243E-00	B- 7	4FL-14204-00	B-11	3R1-16357-00	C- 2	3XV-2160F-00	C- 9	4FL-23103-01	D- 2
51L-W0047-11	D-11	1KT-12437-00	B- 7	47X-14205-00	B-11	30X-16358-00	C- 2	4FL-21611-00	C- 9	4FL-23110-00	D- 2
1J3-W0048-00	D- 8	36F-12450-00	B- 5	3XV-14411-00	B- 9	2TV-16371-00	C- 2	3XV-21639-00	C- 9	4FL-23111-00	D- 2
51L-W0048-00	D-11	2RH-12459-00	B- 5	3XV-14412-01	B- 9	3BN-16380-00	C- 2	3XV-2164F-00	C- 7		D- 3
3GM-W0057-00	D- 8	4FL-12461-00	B- 6	3XV-14451-00	B- 9	3BN-16383-00	C- 2	3XV-2164G-00	C- 7	4FL-23114-00	D- 2
3MA-W0057-10	D- 8	4FL-12462-00	B- 6	4FL-14453-00	B- 9	2RH-17121-00	C- 3	3XV-21649-00	C- 9		D- 3
51L-W0057-00	D-11	4FL-12467-00	B- 6	43G-14455-00	E-14	2RH-17131-01	C- 3	3XV-21650-10	C- 9	4FL-23115-00	D- 2
50W-W247E-00	D- 6	3BN-12469-00	B- 6	2YK-14462-00	B- 9	2RR-17151-01	C- 3	3XV-21669-00	C- 9		D- 3
3CK-W247O-00	D- 6	4FL-12481-00	B- 6	3KM-14462-00	B- 9	3RR-17161-01	C- 3	3XV-2171H-00	C-11	4FL-23118-00	D- 2
4FL-W283E-00	E- 5	4FL-12482-00	B- 6	3XV-14462-00	B- 9	2TV-17211-01	C- 3	3XV-21717-00	C-10		D- 3
4FL-W283E-10	E- 5	4FL-12483-00	B- 6	3XV-14472-00	B- 9	2RH-17221-00	C- 3		C-10	4FL-23120-00	D- 2
4FL-W283F-00	E- 5	87M-12484-00	B-10	3PA-14613-10	B-12	2RH-17231-00	C- 3	3XV-2172W-00	C-12	4FL-23125-00	D- 2
4FL-W283F-10	E- 5	4FL-13100-00	B- 8	4FL-14711-00	B-12	3RR-17241-00	C- 3	4FL-2173L-00	C-10		D- 3
4FL-Y2171-00	C-10	4FL-13151-00	B-14	4FL-14744-00	B-12	2RH-17251-01	C- 3	4FL-2173L-10	C-10	4FL-23126-01	D- 2
4FL-Y2171-10	C-10	4FL-13175-00	B- 8	4FL-14744-10	B-12	3RR-17261-00	C- 3	3XV-2173M-00	C-10		D- 3
4FL-Y2172-00	C-10	4FL-13176-00	B- 8	4FL-14753-00	B-12	3MB-17411-01	C- 3		C-10	3MA-23129-10	D- 2
4FL-Y2172-10	C-10	10W-13178-01	B- 8	3XV-14755-01	B-12	3BN-17421-00	C- 3	3XV-2173N-00	C- 9		D- 3
4FL-Y2835-00	E- 4	50M-13342-00	B-15	4FL-1490J-00	B-10	3RM-17460-00	C- 3	3XV-2173T-00	C-10	3XV-23135-20	D- 2
4FL-Y2835-10	E- 4	4FL-13565-00	B- 9	1KT-14994-00	B-10	55K-17471-00	C- 4		C-10		D- 3
4FL-11111-00	B- 2	1AE-13575-00	B- 9	3MB-15111-02	B-13	10W-18101-03	C- 6	3SP-21732-00	C- 7	4FL-23141-00	D- 2
4FL-11181-00	B- 2	4FL-13581-00	B- 9	3BN-15121-03	B-13	3XV-18111-00	C- 6	4FL-2174L-00	C-10		D- 3
4GW-1131A-00	B- 2	4FL-13610-00	B- 9	37F-15128-00	B-13	132-18113-01	C- 6	4FL-2174L-10	C-10	4FL-23142-00	D- 2
3RR-1131E-00	B- 2	4FL-13613-00	B- 9	3MB-15167-00	B-13	4FL-18115-00	C- 6	4FL-21746-00	E-12		D- 3
2RH-1131M-10	B- 2	3BN-13616-00	B- 9	3MB-15168-00	B-13	3XV-18130-00	C- 6	4FL-21747-01	C-11	3MA-23143-10	D- 2
4FL-1131N-00	B- 2	3MB-13616-00	B- 9	3Y1-15361-00	B-14	3BN-18140-00	C- 5	4FL-21751-00	C-12		D- 3
2RH-1131R-10	B- 2	1KT-13621-01	B- 9	1RG-15363-00	B-14	2H9-18154-00	C- 6	3XV-2176E-00	C-10	1KT-23144-00	D- 2
31K-1131U-00	B- 2	3XV-1410A-00	B-10	583-15371-00	B-13	55K-18511-01	C- 5	4FL-2177G-00	C- 8		D- 2
4FU-11311-00	B- 2	4FL-14101-00	B-10	3MB-15411-11	B-14	2RH-18512-00	C- 5	2N3-21771-01	C-12	3XV-23145-00	D- 2
29L-1132E-00	B- 2	3ET-14103-00	B-10	3BN-15421-10	B-14	55K-18513-00	C- 5	3XV-21778-00	C-10		D- 3
4FL-1133E-00	B- 3	3MB-14104-00	B-11	3MB-15431-10	B-14	55K-18531-00	C- 5		C-10	1RX-23146-00	D- 2
4FL-1133F-00	B- 3	2MA-14107-28	B-10	4FU-15441-00	B- 2	3BN-18535-00	C- 5	3XV-21782-00-P3	C-11		D- 3
4FU-11351-00	B- 2	3XV-14112-10	B-10	3BN-15451-10	B-14	3XP-18540-00	C- 5	3XV-21782-00-33	C-11	4FL-23147-00	D- 2
4FU-11400-00	B- 4	1KT-14131-00	B-10	3MB-15455-11	B-14	4FL-21110-00	C- 7	1AA-21815-00	C-12		D- 3
3MB-11412-00	B- 4	8A7-14139-00	B-10	2RH-15492-00	B-13	4FL-21140-00	C- 7	4FL-21871-00	C-12	4FL-23148-00	D- 2
3MB-11422-00	B- 4	1KT-14141-42	B-10	3AY-15524-00	B-15	4HX-21140-00	C- 7	4FL-22110-00-35	C-13		D- 3
2RH-11454-00	B- 4	193-14142-17	B-10	3MB-15532-00	B-15	4FL-21150-00	C- 7	4HX-22110-00-35	C-13	4FL-23153-00	D- 2
55K-11530-00	B- 4	137-14143-42-A1	B-10	3MB-15544-00	B-15	4HX-21150-00	C- 7	4FL-22128-00	C-13		D- 3
10V-11536-01	B- 4	1KT-14147-00	B-10	3AY-15580-00	B-15	4FL-21161-00	B- 7	4GO-22141-00	C-13	1RX-23156-00	D- 2
3MB-11610-01	B- 4	1KT-14148-00	B-10	3AY-15583-00	B-15	3XV-21162-01	B- 7	4FL-22147-00	C- 8		D- 2
4FL-11631-01-A0	B- 4	137-14153-00	B-10	50W-15650-00	B-15	3XV-21171-00	C- 7	4FL-22151-00	C-13	3MA-23157-10	D- 2
3MB-11633-00	B- 4	127-14161-00	B-10	4FU-16111-00	C- 2	4HX-21183-00	C- 8	1UF-22174-00	D- 9		D- 3
4FU-11651-00	B- 4	3X3-14169-00	B-10	3BN-16150-01	C- 2	4FL-21190-00	C- 7	30X-2219X-00	C-13	4FL-2317J-00	D- 2
37F-11681-00	B- 4	3XC-14185-00	B-10	2TV-16154-00	C- 2	3XV-21446-00	E- 3	4FL-22210-00	C-14		D- 3

NUMERICAL INDEX

PART NO.	GRID NO.	PART NO.	GRID NO.	PART NO.	GRID NO.	PART NO.	GRID NO.	PART NO.	GRID NO.	PART NO.	GRID NO.
3MA-23181-10	D- 2	1RY-25381-00	D- 9	4FL-26240-00	D-12	3XV-28336-00	E- 4	1VU-83332-00	E- 9	4HW-85540-00	E-14
	D- 3	2KR-25388-00	D- 9	51Y-26241-00	D-12	4FL-2834E-00	E- 5	51L-83332-01	E- 9	4HX-85540-00	E-14
3XV-23181-00	D- 3	29L-25398-00	D- 7	4FL-26246-00	D-12	4HX-2834E-00	E- 6	3VD-83340-00	E- 9	4JB-85540-00	E-14
4FL-23181-00	D- 3		D- 9	4FM-26280-10	E- 4	4FL-28356-00	E- 4	1VU-83342-00	E- 9	4FL-85546-00	E-14
34X-23192-50	C- 8	29L-25398-10	D- 7	4Y2-26281-01	D-12	4FL-28357-00	E- 5	51L-83342-01	E- 9	4FL-85550-00	E- 7
4FL-23340-00	D- 3		D- 9	3TY-26282-01	D-12	4FL-2836K-01	E- 6	3HE-83345-50	E- 4	4FL-85560-00	E- 7
3XV-23416-00	C-15	29L-25398-20	D- 7	4FM-26290-10	E- 4	4FL-2836K-11	E- 6	3YA-83350-10	E-15	3XV-85720-00	E-14
3YF-23418-00	C-15		D- 9	3CV-26298-00	E- 4	3XV-28364-00	E- 5	10V-83365-00	E- 9	4FL-85820-00	E-15
4FL-23435-00	C-15	4FL-25446-00	D- 9	4FM-26299-00	E- 4	3XV-2837U-01	E- 4		E- 9	90101-12558	C-14
2H9-23469-00	D-12	4FL-2580U-00	D- 8	4FL-26302-00	D-12	4FL-28371-00	E- 5	4FL-83371-00	E-15	90101-12676	C-14
4FL-2411R-00	D- 5	4FL-2580W-00	D-11	3XV-26331-00	B-11	4FL-28372-00	E- 5	4FL-83509-00	E-10	90105-10117	C- 7
4FL-2411T-00	D- 5	4FL-2581J-00	E- 2	4FL-26335-00	D-12	4FL-28390-01	E- 4	3GM-83513-00	E-10	90105-10363	D- 8
4FL-2411U-00	D- 5	3XC-2581T-00	D- 8	3XV-26393-00	D-13	4FL-28390-11	E- 4	2GV-83517-00	E-10	90105-10634	D-11
4FL-2411V-00	D- 5	1KT-25819-00	D-11	4FL-27137-00	E- 2	4FL-81800-00	E- 8	3GM-83517-00	E-10	90109-06M22	D- 6
3XV-24110-00-07	D- 4	3LN-2582A-00	E- 2	3XV-27211-01	E- 2	50W-81801-MO	E- 8	3GM-83520-00	E-10	90109-060G4	E-14
3XV-24110-00-08	D- 4	3XV-2582E-00	E- 2	47X-27222-00	E- 2	50W-81828-MO	E- 8	3GM-83525-00	E-10	90109-063F7	C- 5
4HX-24110-00-01	D- 4	47X-25827-00	D-11	3XV-27311-00	D-15	3MB-8183G-01	E- 8	3LG-8353H-10	E-10	90109-06577	E-13
4HX-24110-00-02	D- 4	47X-25827-10	D-11	3XV-27315-00	D-15	4FL-81940-00	E-15	3XV-83540-00	E-10	90109-082F5	D-14
4FL-24145-00	D- 5	3TU-2583V-01	E- 2	4FL-27321-00	D-15	25G-81950-01	E-15	4FL-83550-00	E-10		D-14
3XV-24182-00	D- 4	1WG-25831-50	D-11	3XV-2741L-00	D-14	47X-81960-A2	E-14	3GM-83559-00	E-10	90109-08718	D- 8
3XV-24184-00	D- 4	34I-25846-00	D- 7	4FL-27410-00	D-14	3MB-82110-00	E-14	4FL-83570-00	E-10		D-11
3XV-24185-01	D- 6	1U4-25847-00	D- 7	4BP-27413-00	D-14	4FL-82115-00	E-14	2GH-83578-00	E-10	90109-100E8	D-15
3VD-24188-00	D- 4	3LN-2585F-00	E- 2		D-14	3MB-82116-00	E-14	3XV-83590-00	E-10	90109-103A9	D-14
3XV-24198-00	C-12	3LN-2585H-00	E- 2	1NW-27414-00	B-12	4FL-82129-00	C-12	11H-83591-00	E-15		D-14
4FL-24244-00	D- 4	3XP-25852-50	E- 2	3XV-2742L-00	D-15	3KJ-82310-00	E-15	3HE-83912-00	E-13	90110-05112	D- 4
4FL-24311-00	D- 4	4H7-25852-00	D-13	4FL-27420-00	D-14	3XV-82370-00	E-15	31A-83913-00	E-13	90110-06138	D-12
4FL-24500-00	D- 4	2VN-25854-00	E- 2	3XV-27430-00	D-14	4FL-82501-00	E-14	3GM-83922-00	E-13	90110-06145	B-14
4X8-24512-00	D- 4	4LO-25854-00	D-13	3XV-27440-00	D-15	3XV-82530-01	E-14	31A-83945-00	E-13	90110-10126	D-15
3AJ-24523-00	D- 4	2VN-25855-00	E- 2	3XV-27442-00	D-14	2H7-82540-00	E-15	4FL-83969-00	E-13	90116-08042	B-12
3AJ-24534-00	D- 4	4LO-25867-00	D-13	4FL-27443-00	D-14	4FL-82541-00	E-15	3YA-83975-00	E-13	90116-08318	B- 2
3XM-24670-02	D- 4	2RJ-25870-00	D-13	3XV-27445-00	D-14	34I-82543-00	E-15	4FU-83980-00	E-13	90116-08388	B- 2
4FL-24710-00	D- 6	4FL-25873-00	D-13	3XV-27446-00	D-14	3LD-82566-80	E-15	3MA-8413H-00	E-11	90116-08394	B- 2
35T-24724-00	D- 6	3XV-25875-00	E- 3	4FL-27813-00	E- 2	4FL-82590-00	E-14	3HE-84312-40	E-11	90116-08524	B- 2
3XV-2473J-00	D- 6	3XC-25876-00	D-11	4FL-28100-00	C- 9	1UA-82591-00	C- 8	2F9-84314-00	E-11	90116-08552	D- 9
3XV-24734-00	D- 6	3XV-25876-10	D-13	3HX-28215-00	E- 4		C- 8	4FL-84320-00	E-11	90119-05001	C- 2
3XV-24750-01	D- 6	3XV-25876-20	D-13	4FL-28301-00	E- 5		C- 8	4E2-84347-00	E-11	90119-06042	C-10
3XV-24751-00	D- 6	3XC-25887-00	E- 3	4FL-28301-10	E- 5		C- 8	3XV-84397-00	E-11		C-11
3XV-2478E-00	D- 6	3ET-25888-00	E- 2	4FL-28303-00	E- 5		E- 4	2AL-84553-00	C- 9	90119-06063	C- 8
3LD-24854-00	E-12	2VN-25894-00	E- 2	4FL-28303-10	E- 5	3MA-82591-00	E-13	4FL-84710-00	E-12	90119-06096	B- 9
34I-25149-00	D- 7	4FL-25895-00	E- 2	3XV-2831U-01	E- 5	29L-82911-01	E-13	31L-84714-00	E-12		C- 9
3XV-25168-00-P1	D- 7	3LN-25919-10	D-11	3XV-2831W-00	E- 4	31A-82917-00	E-13	3XV-84721-00	E-12	90119-06108	C- 9
3XV-25168-00-UA	D- 7	4FL-25919-00	D- 8	4FL-28315-00	E- 6	51J-83310-00	E- 6	3XV-84723-00	E-12	90119-06118	D- 5
3XV-25181-00	D- 7	3MA-25924-00	D- 8		E- 6	306-83311-40	E- 9	4FL-84735-00	E-12	90123-08046	D-12
3MA-25190-00	D- 7	4FL-25924-00	D-11	4FL-28315-10	E- 6		E- 9	3XV-84743-00	E-12	90149-04278	C- 9
2XT-25338-01-P0	D- 9	3MA-25925-00	D- 8		E- 6		E- 9	4G1-84744-00	E-10	90149-04307	B- 8
2XT-25338-01-UA	D- 9	3XV-2612E-00	D-13	4FL-2832U-00	E- 5		E- 9	1KH-84751-00-90	E-12	90149-05273	E- 4
1KT-25364-00	D- 9	4FL-26121-00	D-12	3XV-28321-01	E- 5	51J-83320-00	E- 9	3G1-85130-01	C- 9	90149-06011	D- 4
4FL-25366-00	D- 9	4FL-26122-00	D-12	4FL-28332-00	E- 5	3VD-83330-00	E- 9	3HE-85132-01	C- 9	90149-06153	E-13

NUMERICAL INDEX

PART NO.	GRID NO.	PART NO.	GRID NO.	PART NO.	GRID NO.	PART NO.	GRID NO.	PART NO.	GRID NO.	PART NO.	GRID NO.
90149-06233	D-14	90201-047A2	C- 9	90215-12272	B- 4	90401-06115	B- 6	90480-13163	C- 8	92016-06012	E- 4
	D-14	90201-05725	D- 6	90215-20283	C- 3		B- 7	90480-13398	C-10		E- 5
90150-06031	C- 9	90201-060A3	B-12	90240-08013	E- 2	90401-10096	D-13		C-10	92016-08030	E- 2
	E- 5	90201-06042	D-14	90243-08029	D-14		D-13	90480-14023	C-12	92580-06560	B-13
	E- 5		D-14		D-14		E- 3		E-10		B-14
90150-06036	C-10	90201-06059	C- 8	90267-32109	E- 5	90405-06044	B- 6		E-15	92901-04600	E-10
	C-10	90201-06067	E-15	90269-05039	C- 7		B- 7	90480-14229	E- 4	92901-06200	C- 2
90151-06041	B-15	90201-062G3	C-12	90280-03017	B- 4	90430-04004	B- 8	90480-14412	C- 8	92901-06600	B-15
90153-06059	E-15	90201-063J2	E-12	90282-05047	B- 4	90430-06166	B- 5	90480-14539	D- 4	92901-08600	D- 9
90154-05059	E- 5	90201-065G8	C-13	90282-05058	B- 4		B- 6	90480-15363	B- 6	92902-04100	B-10
	E- 6	90201-06697	D- 4	90338-09012	D-13		B- 7	90480-18276	E-12		E-10
90154-06061	C-10		E-10	90338-16029	B-13	90445-05278	B- 8	90480-18411	B-12	92906-04100	B-11
	C-10	90201-08083	E- 2	90338-16148	C- 7	90445-05319	B-10	90501-02639	B-15		B-11
90157-05057	E-13	90201-08087	B-14	90338-30234	B-14	90445-07747	B-10	90501-08668	D- 4	92906-05100	B- 7
90157-05079	B- 8	90201-08107	C- 7	90340-14068	B-14	90445-081H0	C-12	90501-10312	E-13	92906-06100	B- 2
	E-15	90201-08512	B- 5	90380-22111	C-13	90445-084G9	E-14	90501-20644	C- 2		D-13
90159-03102	E-10	90201-08649	B- 2	90384-18157	C-14	90445-09111	C-12	90506-20389	E- 2		E-13
90159-05183	B- 6	90201-087H6	B-15	90387-060U2	C-13	90445-09123	B- 6	90506-26467	D-15		E-15
90159-05187	D-14	90201-10118	D-13	90387-06033	E-12	90445-107H3	D- 4	90508-18765	C- 2	92906-06600	B- 3
	D-14		D-13	90387-061M0	E-12	90445-217G3	D-15	90508-20572	D-14		B- 9
90159-06082	C-13		E- 3	90387-062M9	C- 9	90446-07228	B-13		D-14	92990-03100	B- 9
90159-06084	C-13	90201-120E8	C- 2	90387-062N2	C- 8	90450-22052	B- 6	90508-26681	C- 5		E-10
90164-04008	E-10	90201-123L6	E- 7	90387-06299	E-15	90450-28014	B- 6	90508-32553	C- 6	92995-06100	D- 6
90167-03058	E-10	90201-12535	C-14	90387-06388	B- 6	90450-44046	B- 9	90560-15277	D- 9	93101-10090	B- 8
90167-04057	E-10		C-14		C-12	90450-99056	B- 9	90560-17358	D- 7	93101-12060	C- 6
90170-06010	E-13	90201-14217	C- 2		E-10	90462-08189	B-13	91001-06025	C-12	93102-22216	D- 9
90170-06228	C- 6	90201-145M7	D- 9	90387-064H8	D-14	90462-10190	B-13	91006-06008	E- 3	93102-23252	D- 7
90170-12370	B- 4	90201-152L7	D- 9		D-15	90462-20029	B-14	91011-08020	C- 7	93102-25331	B- 4
	C- 2	90201-15238	C-13	90387-064T3	E- 4	90464-12027	C- 9	91026-06012	D-13	93102-26042	C- 3
90171-14020	D-10	90201-154E8	C- 3	90387-066H4	C- 8	90464-12089	C- 7		D-13	93102-28022	D- 9
90176-06055	B- 6	90201-170M2	B-13	90387-066J1	B- 6	90464-12158	C- 9	91311-05010	B- 2	93103-10168	B- 5
	E- 4	90201-180P2	C- 2	90387-06681	C- 8	90464-12164	C- 8		D- 4	93103-32171	B- 4
90176-08040	B- 2	90201-20266	C- 3		C- 9	90464-15157	C-12	91311-06016	E- 3	93104-14059	C- 2
90179-05523	E- 5	90201-22555	C- 3	90387-067N5	C-10	90464-24042	C- 8	91311-06020	E-14	93105-45017	D- 7
	E- 6	90201-251F6	C-13		C-10	90467-08003	C-12	91312-06012	B-15	93106-22019	C-13
90179-06499	E- 4	90201-254H8	C-13	90387-07391	D- 4	90467-09006	B- 6	91316-05012	B- 2	93108-23010	B- 2
90179-08148	D-12	90202-05180	C- 7	90387-084N8	D-14		C-12		B- 2	93108-35004	C-13
90179-08270	B-12	90202-05187	D- 4		D-14		D- 4	91316-05018	D-12	93109-18020	C-14
90179-08491	B- 2	90202-06007	E- 5	90387-105L0	B-12	90467-10008	D- 4	91316-06016	B-12	93210-04092	D-12
90179-12244	C- 2		E- 6	90387-124H0	C-14	90467-10035	B- 7	91316-08030	C-15	93210-12790	B- 6
90179-12421	E- 7	90202-26142	C-15	90387-1501G	D- 9		B- 7		D-12	93210-14369	B-14
90179-16226	C- 3	90202-26166	E- 8	90387-153N7	D-10	90467-13083	E- 2	91401-30030	D-10	93210-18397	B- 8
90179-22455	C-15	90206-17084	C- 6	90387-153N8	D-10	90467-14057	E- 2		E- 5	93210-19123	B-14
90179-25615	C-15		E- 2	90387-1600X	C-13	90467-20050	B- 9	91490-16020	E- 2	93210-27778	B- 6
90183-04064	C-10	90208-18046	C- 2	90387-1600Y	C-13	90468-02033	B- 8	91490-20020	D-15	93210-30734	B- 2
90183-05044	B- 6	90209-18135	C- 3	90387-177V5	D- 7		B- 8		D-15	93210-44678	E- 8
90185-10037	D-15	90209-22257	B- 4	90387-202T9	B- 4	90468-08086	B- 8	91701-06035	D-15	93210-61750	C- 9
90185-14070	C-13	90215-12271	C- 2	90387-205U0	C- 3	90480-10542	B- 6		D-15	93306-20211	C- 3

NUMERICAL INDEX

PART NO.	GRID NO.	PART NO.	GRID NO.	PART NO.	GRID NO.	PART NO.	GRID NO.	PART NO.	GRID NO.	PART NO.	GRID NO.
93306-20222	D- 9	95601-10200	D-15	97706-40008	C-11	99009-22400	D- 7				
93306-20226	D- 9	95601-12100	C-14	97706-40010	C-10	99080-07600	B- 5				
93306-20314	D- 7			97706-40620	C-14	99226-00160	D- 4				
93306-20335	B- 4	95611-08100	E- 2			99234-00080	C-11				
93306-20417	C- 3	95616-06100	E-12			99236-00080	C-11				
93306-20437	D- 9		E-13			99510-10114	B- 2				
93306-30210	B- 4		E-13	97706-50012	D- 6	99510-12016	B-13				
93306-30421	C- 3	95616-08200	D- 9	97706-50525	B- 9	99530-10014	B-14				
93306-30556	B- 4	95622-06325	C- 7	98501-08010	B-13						
93310-23081	B-15	95701-05500	C- 9	98503-03008	D- 4						
93310-31605	B- 4	95701-08500	B-12	98503-04014	B-10						
93310-52302	B- 4		C- 7	98506-04010	B-11						
93311-31567	C- 3	95701-10500	C- 7	98506-04012	B-11						
93315-21429	C- 2	95706-05500	D- 6	98506-05030	E-13						
93317-32231	C-13		E- 4	98506-05040	E-13						
93332-00001	C-15	95706-06500	B-12	98511-06012	B- 6						
93332-00008	C-15	95706-12500	E- 9		B-13						
93410-20038	C- 3		E- 9		C- 4						
93410-22039	C- 3	95801-08080	B-14	98511-06025	B- 5						
93430-08036	B- 8	95811-06016	C- 7		E- 8						
93450-17129	B- 4	95811-06020	E- 5		E-15						
93503-16010	C- 2		E- 5	98516-06012	D- 6						
93603-22028	B- 5	95811-06025	B- 5	98516-06020	B- 6						
	B- 8	95811-08065	C- 7	98580-03008	B- 9						
	B- 5	95811-10030	D-11	98580-03010	E-10						
93604-10011	B-14	95816-06012	B-12	98580-04008	B-10						
93606-14081	B-15	95816-06016	C- 7	98580-04010	E-10						
93610-10174	D- 7		E- 2	98580-05010	D- 6						
93900-00030	D- 9		E- 5	98580-05014	B- 8						
	D- 7	95816-06025	B- 6	98580-06030	B-14						
94111-1701C	D- 9		B-12		B-14						
94114-1701D	D- 9		D- 4	98580-06035	B-14						
94581-33140	D- 9	95816-06040	C- 8	98580-06040	B-13						
94681-33031	B- 2	95816-08035	B-12		B-14						
94702-00357	E-15	95821-08025	C- 7		B-15						
95023-06008	B-14		D-14	98580-06550	B-13						
95023-06010	E- 7		D-15	98580-06565	B- 5						
95023-06020	B-14	95826-06020	C- 8		B-13						
95023-06035	C- 9		C-13	98702-03008	E-13						
95026-06016	E- 3	97006-05012	B- 7	98706-04012	D-13						
	E- 2	97011-06020	C- 6	98706-06025	E- 4						
95303-08700	E-10	97011-06025	B- 9	98901-04006	B- 8						
95316-06600	D- 9		E-13	98980-06020	C- 7						
95333-08600	C- 6	97013-06012	D- 6		C- 7						
95380-06700	C- 9	97016-06016	B- 2		C-12						
95601-04100	C- 2	97016-06025	D-13	99006-10600	C- 6						
95601-06200	E-12	97016-08030	E- 4	99009-10400	C- 5						
	D-15	97026-06010	E-15	99009-15400	C- 3						



# **INDEX**

**(INDIVIDUAL SPEC.)**

NUMERICAL INDEX

PART NO.	GRID NO.	PART NO.	GRID NO.	PART NO.	GRID NO.	PART NO.	GRID NO.	PART NO.	GRID NO.	PART NO.	GRID NO.
87M-12484-00	F- 5 F-10	4FL-14204-00	F- 6 F-11	90201-044A2	F-13	98580-04008	F-10				
3XV-1410A-00	F- 5 F-10	47X-14205-00	F- 6 F-11	90201-047A2	F- 8	98906-06016	F- 7				
4HX-14101-00	F- 5 F-10	3PA-14613-10	F- 7 F-12	90201-060A3	F- 7		F-12				
3ET-14103-00	F- 5 F-10	4HX-14711-00	F- 7 F-12	90201-06050	F- 7		F- 7				
3MB-14104-00	F- 6 F-11	4HX-14718-00	F- 7 F-12	90201-080E4	F- 7		F- 7				
2MA-14107-28	F- 5 F-10	4FL-14744-00	F- 7 F-12	90267-40076	F- 7		F-12				
3XV-14112-10	F- 5 F-10	4FL-14744-10	F- 7 F-12	90387-061V4	F- 7		F-13				
2RJ-14118-00	F- 6 F-11	4HX-14753-01	F- 7 F-12	90387-084L1	F- 7		F- 7				
1KT-14131-00	F- 5 F-10	3XV-14755-01	F- 7 F-12	90387-105L0	F- 7		F-12				
8A7-14139-00	F- 5 F-10	4BD-14766-00	F- 7 F-12	90445-05319	F- 7		F- 5				
1KT-14141-42	F- 5 F-10	4FL-1490J-00	F- 5 F-10	90445-07747	F- 7		F-10				
193-14142-15-A0	F- 5 F-10	1KT-14994-00	F- 5 F-10	90480-12579	F- 5		F- 7				
137-14143-42-A1	F- 5 F-10	4FL-21611-10	F- 8 F-13	90480-18575	F- 7		F-12				
1KT-14147-00	F- 5 F-10	4FL-21611-20	F- 8 F- 8	91316-06016	F- 7		F-12				
1KT-14148-00	F- 5 F-10	3HE-21621-00	F- 8 F- 8	92902-04100	F- 8		F- 5				
137-14153-00	F- 5 F-10	3GM-21649-00	F- 8 F-13	92906-04100	F- 8		F-10				
127-14161-00	F- 5 F-10	3GM-21649-10	F- 8 F-13	95601-04100	F- 8		F- 6				
3X3-14169-00	F- 5 F-10	2LJ-21688-00	F-13 F-13	95701-05500	F-13		F-13				
3XC-14185-00	F- 5 F-10	2LJ-21689-00	F-13 F-13	95701-08500	F- 6		F- 7				
537-14186-00	F- 5 F-10	4HX-25876-00	F-13 F-11	95706-06500	F- 7		F-12				
53L-14191-00	F- 5 F-10	4HX-25876-10	F-13 F-12	95706-06500	F- 7		F-12				
3MB-14197-00	F- 5 F-10	3XV-26331-00	F-11 F-12	95816-06012	F- 7		F- 7				
1KT-14198-00	F- 5 F-10	48H-27414-00	F- 7 F-12	95816-06025	F- 7		F-12				
47X-14201-00	F- 6 F-11	4HW-83570-00	F- 3 F- 3	95816-06025	F- 7		F- 7				
		3MA-8413H-00	F- 3 F- 3	95816-06025	F- 7		F-12				
		4FL-84320-20	F- 3 F-13	95601-04100	F-13		F- 7				
		11H-85110-01	F-13 F-13	95701-05500	F-13		F-12				
		23V-85110-00	F-13 F- 7	95701-08500	F- 6		F- 7				
		90116-08042	F- 7 F-12	95706-06500	F-11		F-12				
		90149-04278	F- 8 F- 8	95706-06500	F- 7		F- 5				
		90179-08270	F- 8 F-12	95803-04014	F-12		F-10				
		90201-044A2	F-12 F-13	98503-04014	F-12		F- 5				
				98506-04010	F- 7		F-10				
				98580-04008	F- 7		F- 6				
					F-11		F-11				
					F- 5		F- 5				





*COPYRIGHT : All rights reserved. No part of this publication  
may be reproduced without permission.*

**YAMAHA**

YAMAHA MOTOR CO., LTD.  
2500 SHINGAI IWATA SHIZUOKA JAPAN  
PARTS OPERATIONS

---

Printed in Japan  
First edition Feb., 1993  
**TG**